

STS Series



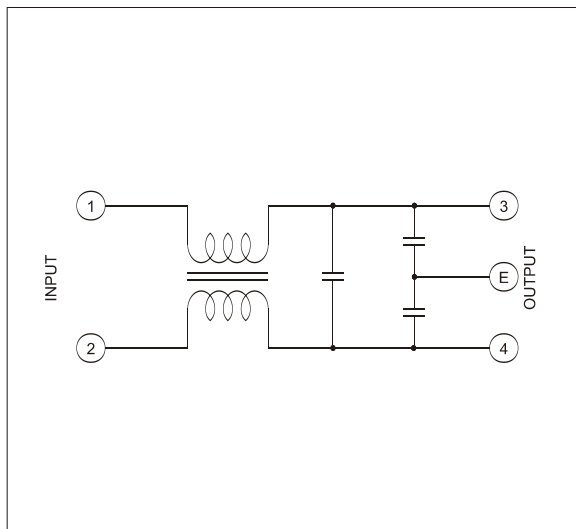
TAB/Square 1-Phase

- 3 - 6Amp 250V
- Excellent Filtering for Normal Mode and common mode Noise
- Low Leakage
- TAB Terminals
- Suitable for Personal Computers & Peripherals, OA & FA Equipments, Industrial & Digital Equipments, etc.

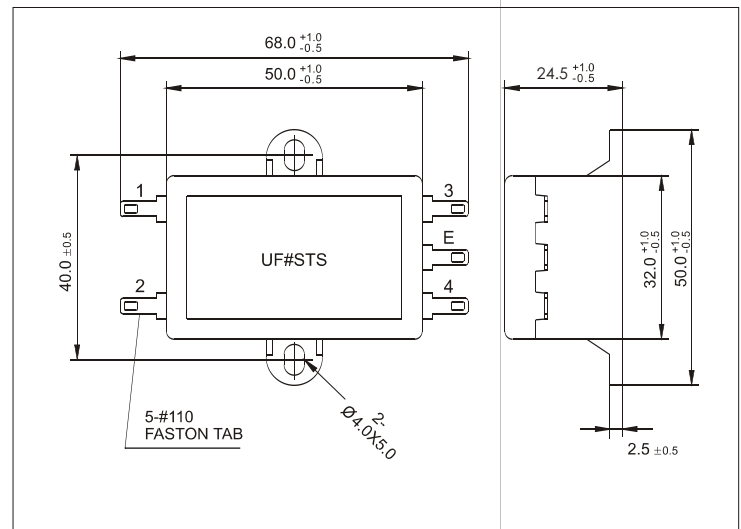
SPECIFICATIONS

Item	UF3STS	UF6STS	Unit
RATED CURRENT	3	6	A
RATED VOLTAGE	250 Max		V
TEST VOLTAGE	2,500Vrms between line and earth for 1 minute		/
ISOLATION RESISTANCE	500Vdc 300Mohm between line and earth		/
LEAKAGE CURRENT	0.5 Max		mA
TEMPERATURE RISE	30 Max		°C
OPERATING TEMPERATURE	-25 ~ +85		°C

BLOCK DIAGRAM

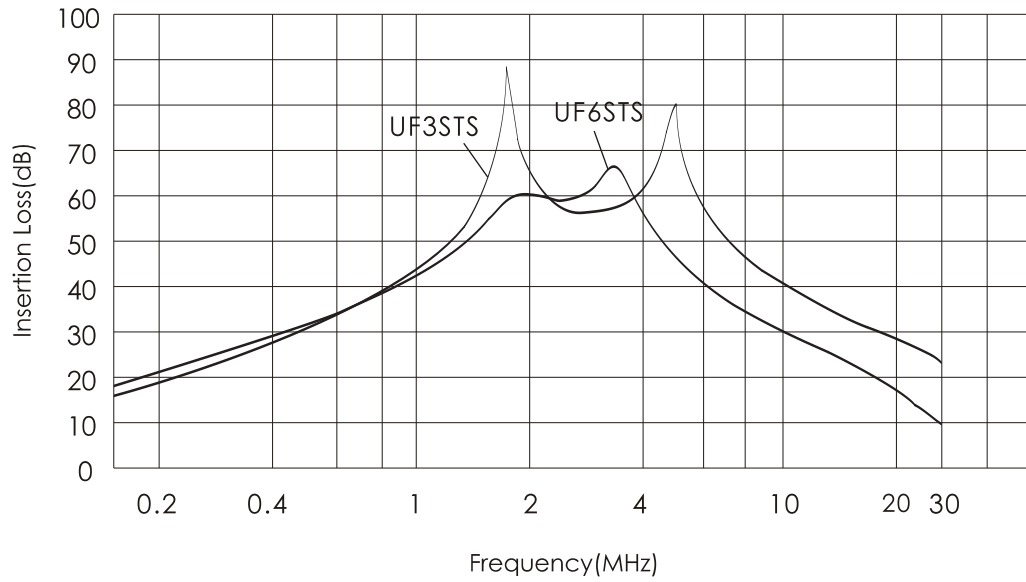


DIMENSIONS(UNITS : MM)



Characteristic curve

A. COMMON MODE



B. NORMAL MODE

