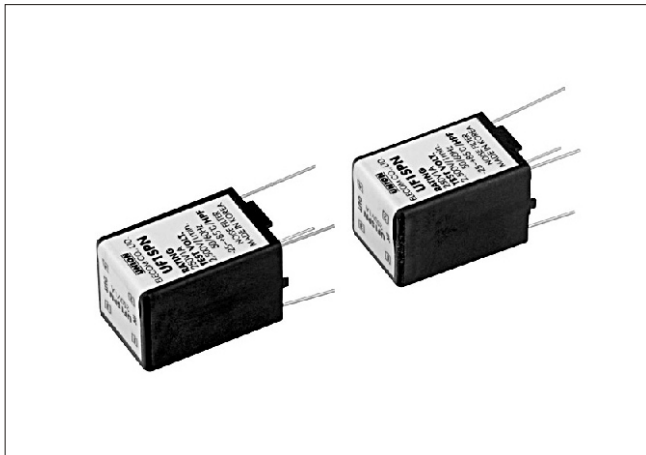


# SPN Series



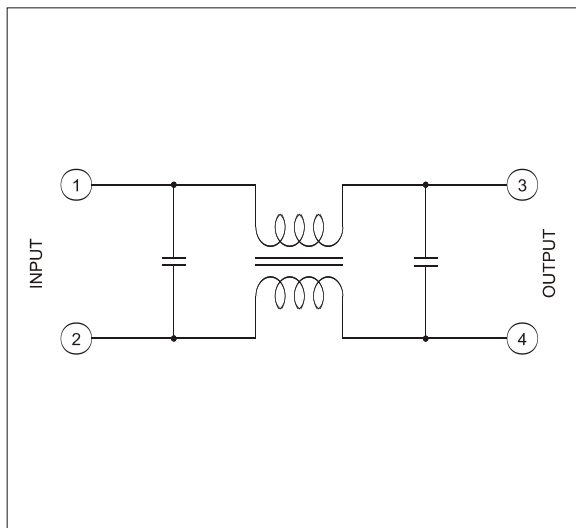
## PCB/Non-earth 1-Phase

- **3 - 6Amp 250V**
- **Small and Compact**
- **Low Leakage**
- **PCB Mount**
- **Suitable for Personal Computers & Peripherals, Digital & Measuring Equipments, Home Appliances, etc.**

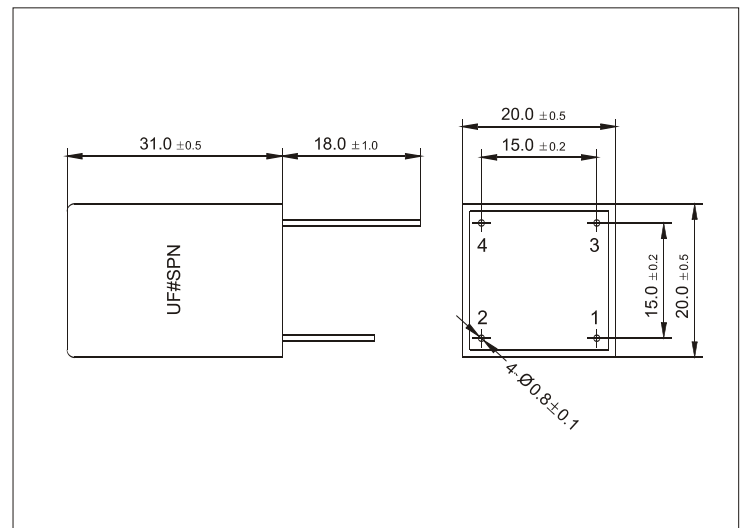
### SPECIFICATIONS

| Item                  | UF3SPN  | UF6SPN   | Unit |
|-----------------------|---|----------|------|
| RATED CURRENT         | <b>3</b>                                      | <b>6</b> | A    |
| RATED VOLTAGE         | 250 Max                                       |          | V    |
| TEST VOLTAGE          | 2,500Vrms between line and earth for 1 minute |          | /    |
| ISOLATION RESISTANCE  | 500Vdc 300Mohm between line and earth         |          | /    |
| LEAKAGE CURRENT       | 0.5 Max                                       |          | mA   |
| TEMPERATURE RISE      | 30 Max  |          | °C   |
| OPERATING TEMPERATURE | -25 ~ +85                                     |          | °C   |

### BLOCK DIAGRAM

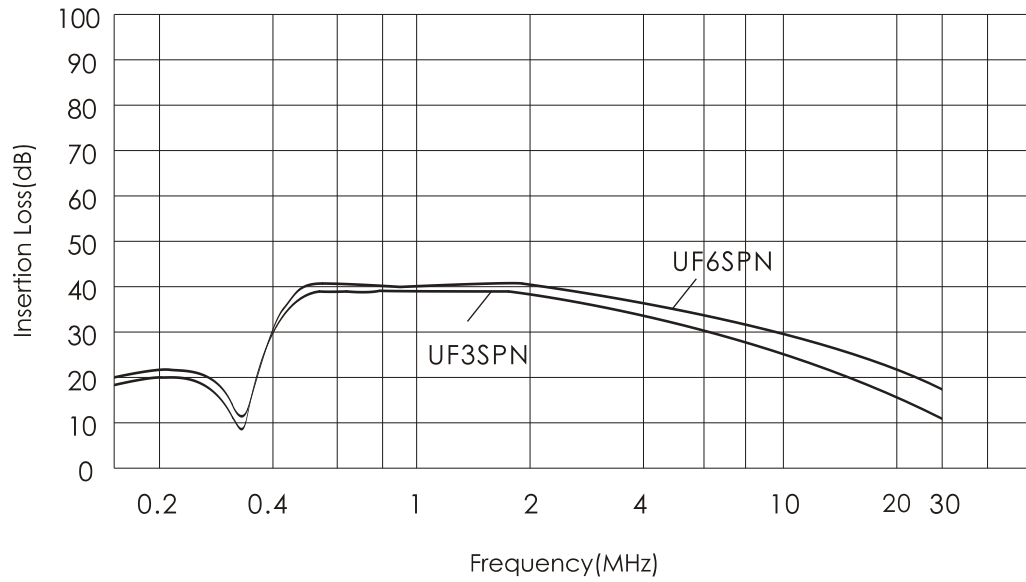


### DIMENSIONS(UNITS : MM)



Characteristic curve

A. COMMON MODE



B. NORMAL MODE

