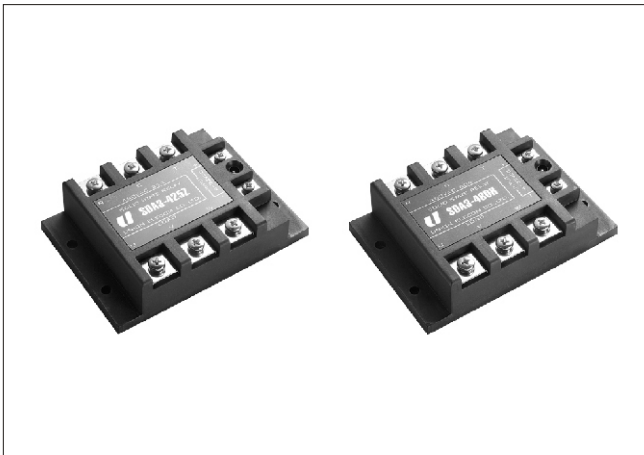


SDA3-4 Series



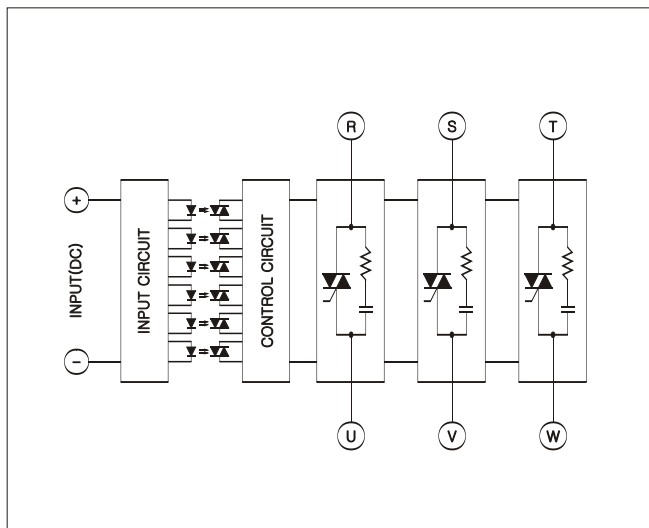
Input DC/Output AC 3-Phase Mold

- 15 - 50Amp AC460V Output
- AC 2500V Isolation
- Normally Open
- LED Indicator
- Panel Mount with Heatsink
- UL Approved
- CE Approved

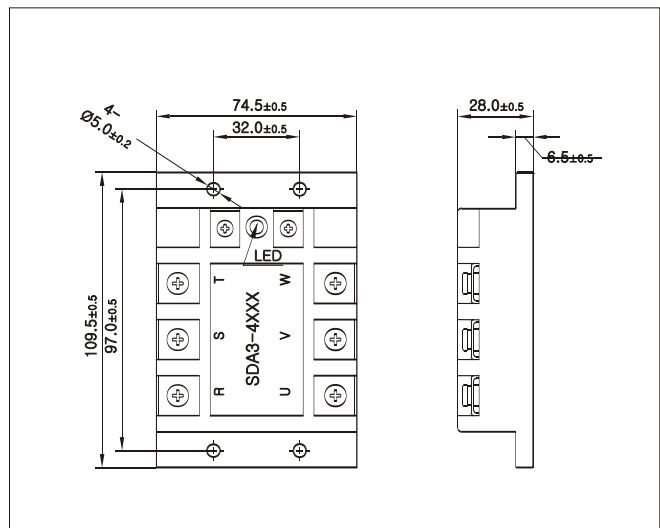
SPECIFICATIONS

Item		SDA3-415Z	SDA3-425Z	SDA3-440Z	SDA3-450Z	Unit
OUTPUT	RMS ON-STATE LOAD CURRENT	15	25	40	50	Arms
	LOAD VOLTAGE RANGE	50 ~ 460				Vrms
	BLOCKING VOLTAGE	1,200				Vrms
	PEAK 1-CYCLE SURGE CURRENT	200	250	370	525	Arms
	ON-STATE VOLTAGE DROP	2 Max				Vrms
	OFF-STATE LEAKAGE CURRENT	20 Max				mArms
INPUT	INPUT VOLTAGE RANGE	4 ~ 32				Vdc
	PICK-UP VOLTAGE	4 Max				Vdc
	DROP-OUT VOLTAGE	1 Min				Vdc
GENERAL	ISOLATION VOLTAGE	2,500Vrms between I/O terminals and case for 1 minute				/
	ISOLATION RESISTANCE	500Vdc 100Mohm between I/O terminals and case				/
	OPERATING TEMPERATURE	-30 ~ +80				°C
	STORAGE TEMPERATURE	-30 ~ +100				°C
	TURN-ON TIME	1/2 Cycle Max				/
	TURN-OFF TIME	1/2 Cycle max				/
	ZERO-CROSS OR RANDOM	Zero-cross				/

BLOCK DIAGRAM



DIMENSIONS (UNIT : MM)



Characteristic curve

A. 15Amp S.S.R

S.S.R Model

SDA3-215Z/415Z

SAA3-215Z/415Z

Heatsink

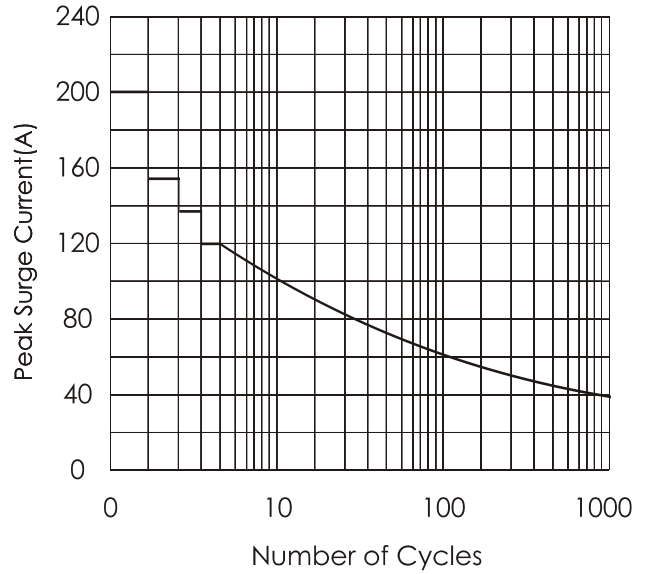
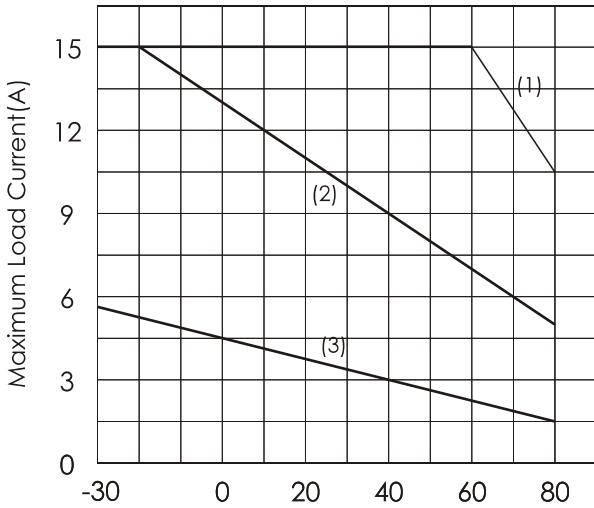
(1)Infinite(2)UHS118-3-120(3)Non

S.S.R Model

SDA1-415Z/415R SAA1-415Z

SDA2-415Z SAA2-415Z

SDA3-415Z SAA3-415Z



B. 25Amp S.S.R

S.S.R Model

SDA3-225Z/425Z

SAA3-225Z/425Z

Heatsink

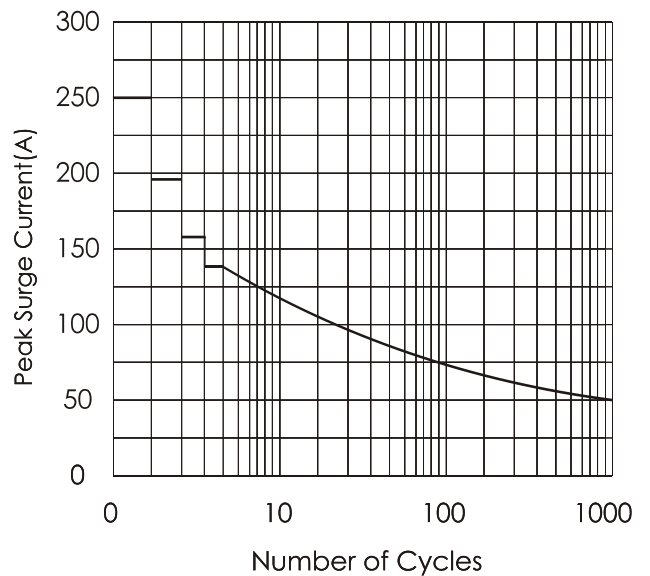
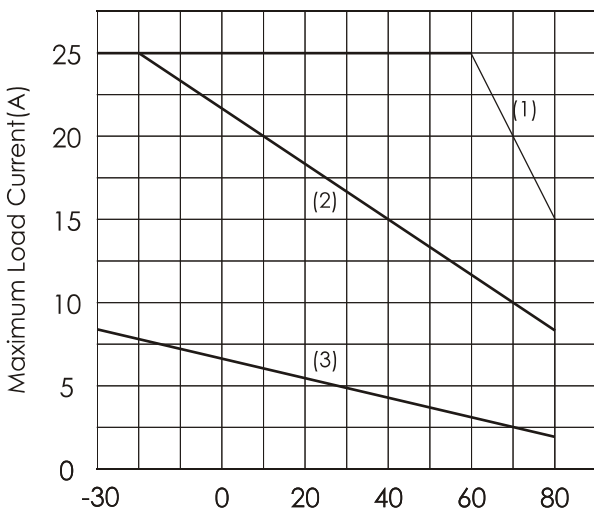
(1)Infinite(2)UHS118-3-150(3)Non

S.S.R Model

SDA1-425Z/425R SAA1-425Z

SDA2-425Z SAA2-425Z

SDA3-425Z SAA3-425Z



Characteristic curve

C. 40Amp S.S.R

S.S.R Model

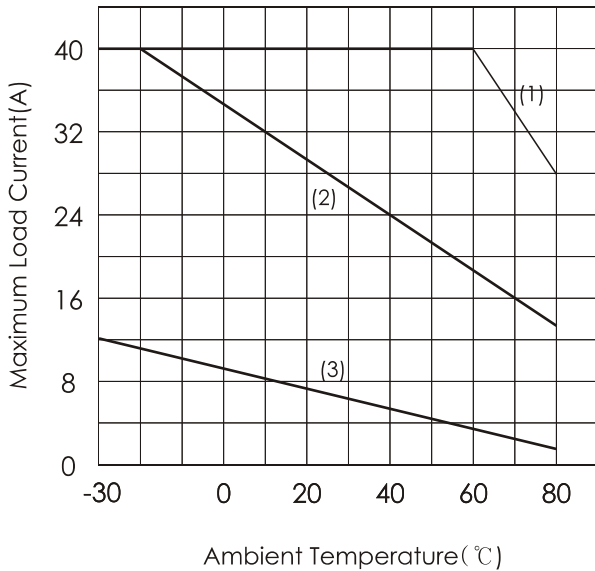
SDA3-240Z/440Z

SAA3-240Z/440Z

Heatsink

(1) Infinite (2) [UHS120V80-3-110 with FAN](#)

(3) Non

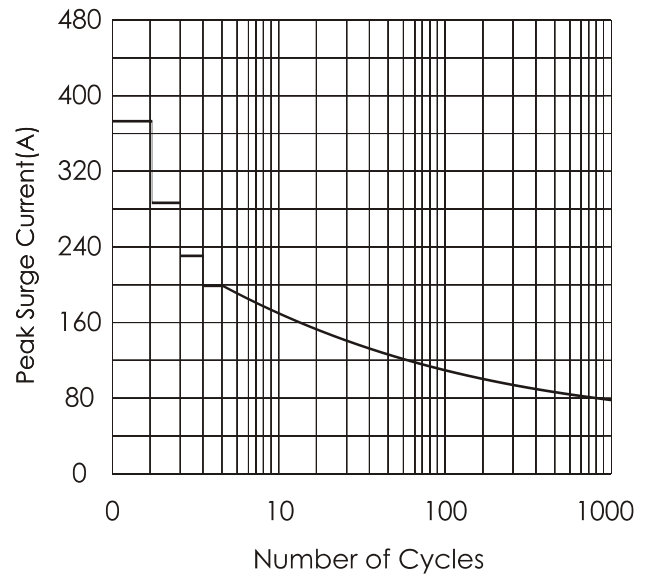


S.S.R Model

SDA1-440Z/440R SAA1-440Z

SDA2-440Z SAA2-440Z

SDA3-440Z SAA3-440Z



D. 50Amp S.S.R

S.S.R Model

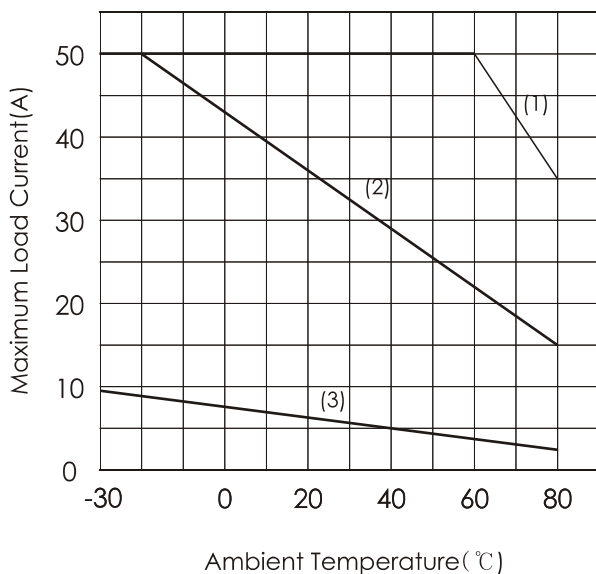
SDA3-250Z/450Z

SAA3-250Z/450Z

Heatsink

(1) Infinite (2) [124V128-3-105 with FAN](#)

(3) Non

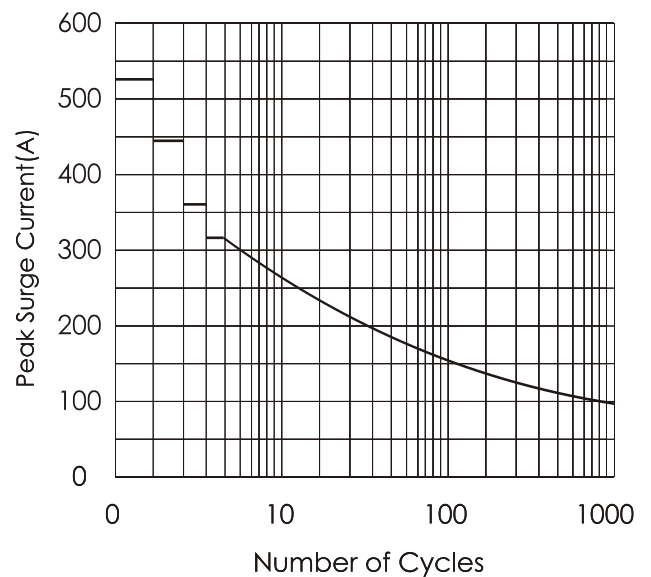


S.S.R Model

SDA1-450Z/450R SAA1-450Z

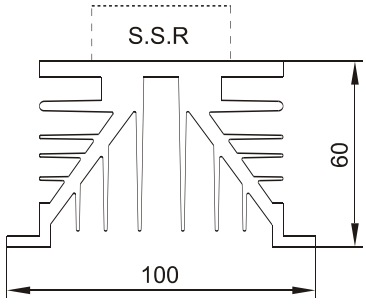
SDA2-450Z SAA2-450Z

SDA3-450Z SAA3-450Z

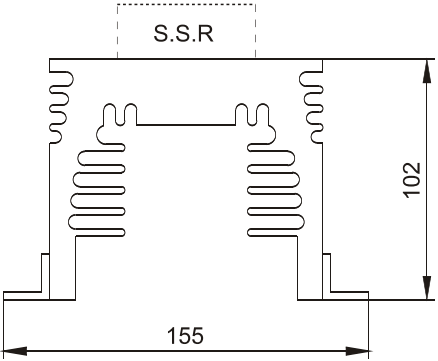


Standard heatsink

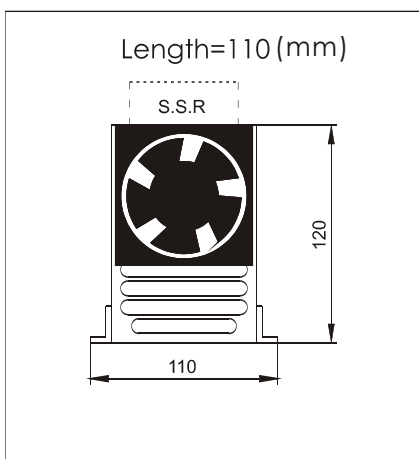
1) UHS118 Series

	MODEL	Length(mm)
	UHS118-1-45	45
	UHS118-1-60	60
	UHS118-1-80	80
	<u>UHS118-3-120</u>	120
	<u>UHS118-3-150</u>	150

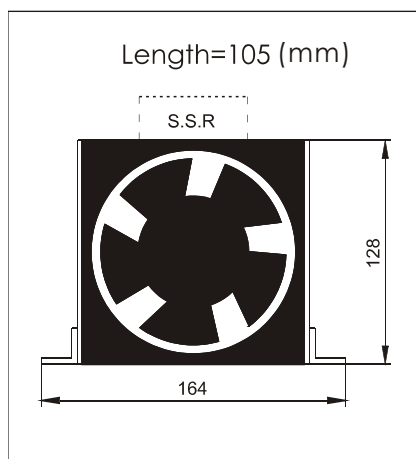
2)UHS11 Series

	MODEL	Length(mm)
	UHS11-1-80	80
	UHS11-1-105	105
	UHS11-3-80	80
	UHS11-3-105	105
	UHS11-3-150	150

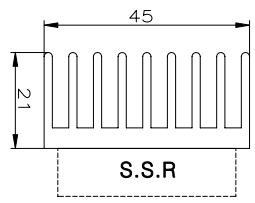
3) UHS120V80-3-110



4) UHS124V128-3-105



5)UHS126 - P

	
MODEL	Length(mm)
UHS126-P-40	40
UHS126-P-50	50