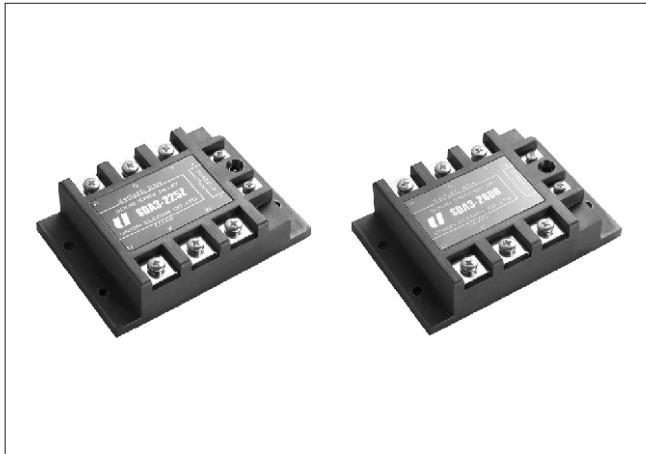


SDA3-2 Series



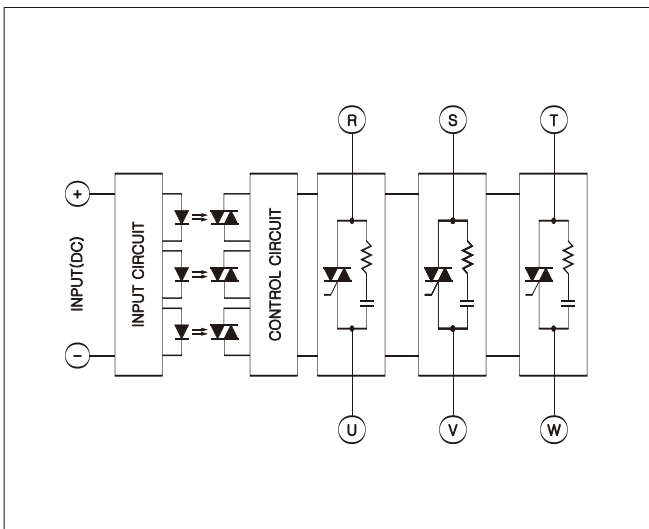
Input DC/Output AC 3-Phase Mold

- 15 - 50Amp AC240V Output
- AC 2500V Isolation
- Normally Open
- LED Indicator
- Panel Mount with Heatsink
- UL Approved
- CE Approved

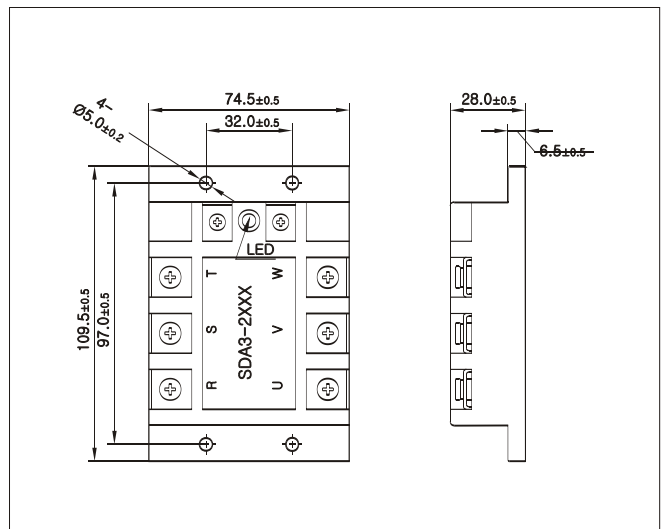
SPECIFICATIONS

Item		SDA3-215Z	SDA3-225Z	SDA3-240Z	SDA3-250Z	Unit
OUTPUT	RMS ON-STATE LOAD CURRENT	15	25	40	50	Arms
	LOAD VOLTAGE RANGE	50 ~ 240				Vrms
	BLOCKING VOLTAGE	600				Vrms
	PEAK 1-CYCLE SURGE CURRENT	170	210	315	450	Arms
	ON-STATE VOLTAGE DROP	2 Max				Vrms
	OFF-STATE LEAKAGE CURRENT	10 Max				mArms
INPUT	INPUT VOLTAGE RANGE	4 ~ 32				Vdc
	PICK-UP VOLTAGE	4 Max				Vdc
	DROP-OUT VOLTAGE	1 Min				Vdc
GENERAL	ISOLATION VOLTAGE	2,500Vrms between I/O terminals and case for 1 minute				/
	ISOLATION RESISTANCE	500Vdc 100Mohm between I/O terminals and case				/
	OPERATING TEMPERATURE	-30 ~ +80				°C
	STORAGE TEMPERATURE	-30 ~ +100				°C
	TURN-ON TIME	1/2 Cycle Max				/
	TURN-OFF TIME	1/2 Cycle max				/
	ZERO-CROSS OR RANDOM	Zero-cross				/

BLOCK DIAGRAM



DIMENSIONS(UNIT : MM)



Characteristic curve

A. 15Amp S.S.R

S.S.R Model

SDA3-215Z/415Z

SAA3-215Z/415Z

Heatsink

(1)Infinite(2)UHS118-3-120(3)Non

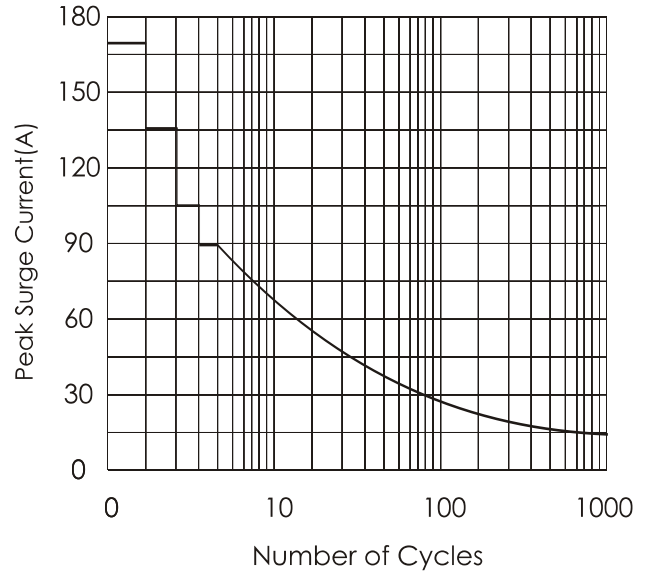
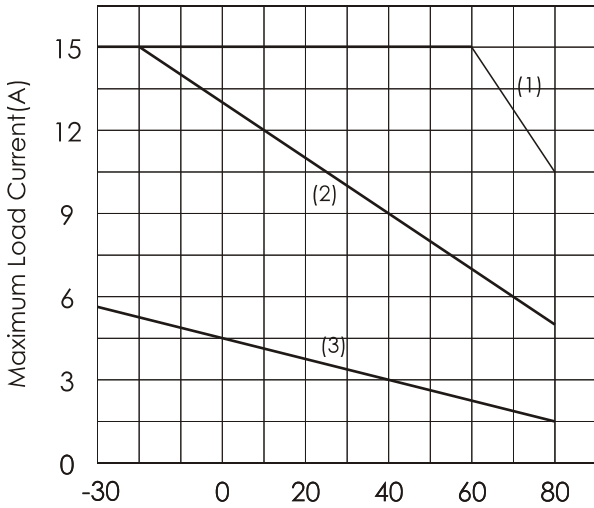
S.S.R Model

PDA1-215ZHL/215ZHS

SDA1-215Z/215R SAA1-215Z

SDA2-215Z SAA2-215Z

SDA3-215Z SAA3-215Z



B. 25Amp S.S.R

S.S.R Model

SDA3-225Z/425Z

SAA3-225Z/425Z

Heatsink

(1)Infinite(2)UHS118-3-150(3)Non

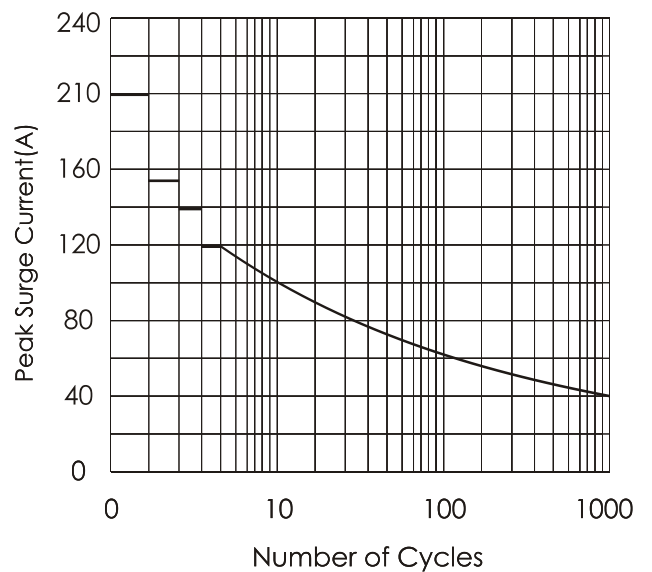
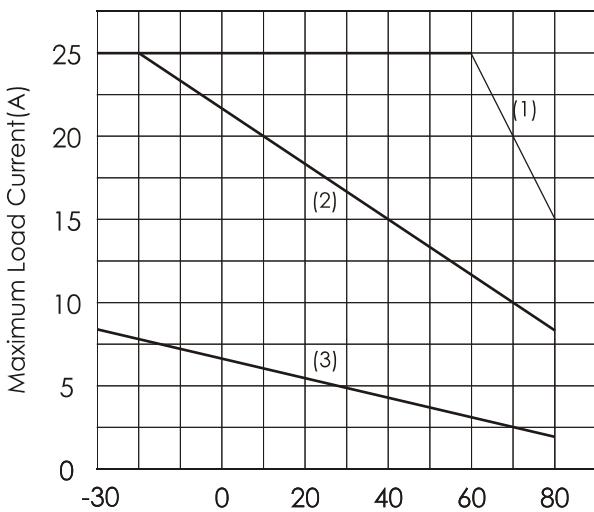
S.S.R Model

PDA1-225ZHL/225ZHS

SDA1-225Z/225R SAA1-225Z

SDA2-225Z SAA2-225Z

SDA3-225Z SAA3-225Z



Characteristic curve

C. 40Amp S.S.R

S.S.R Model

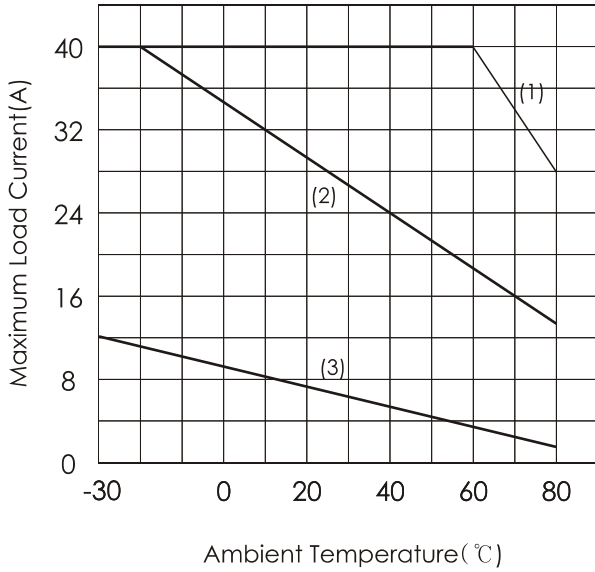
SDA3-240Z/440Z

SAA3-240Z/440Z

Heatsink

(1) Infinite (2) UHS120V80-3-110 with FAN

(3) Non



S.S.R Model

SDA1-240Z/240R

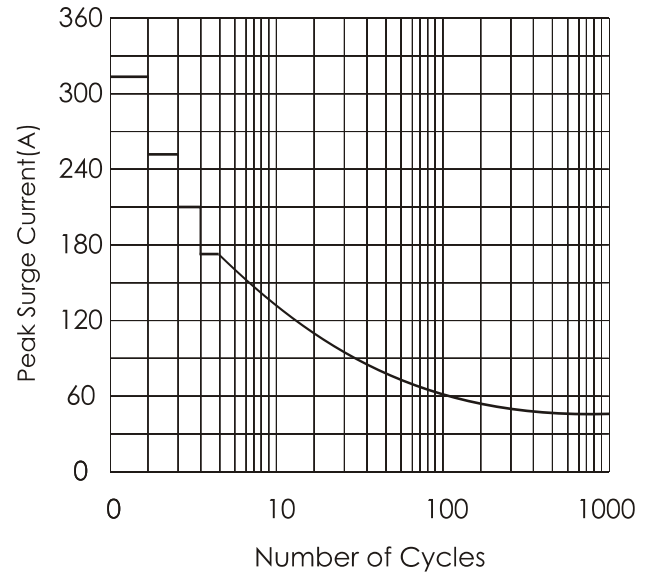
SAA1-240Z

SDA2-240Z

SAA2-240Z

SDA3-240Z

SAA3-240Z



D. 50Amp S.S.R

S.S.R Model

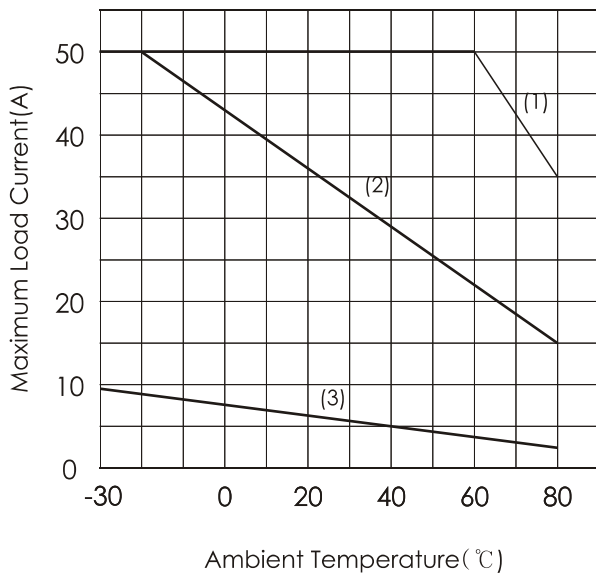
SDA3-250Z/450Z

SAA3-250Z/450Z

Heatsink

(1) Infinite (2) 124V128-3-105 with FAN

(3) Non



S.S.R Model

SDA1-250Z/250R

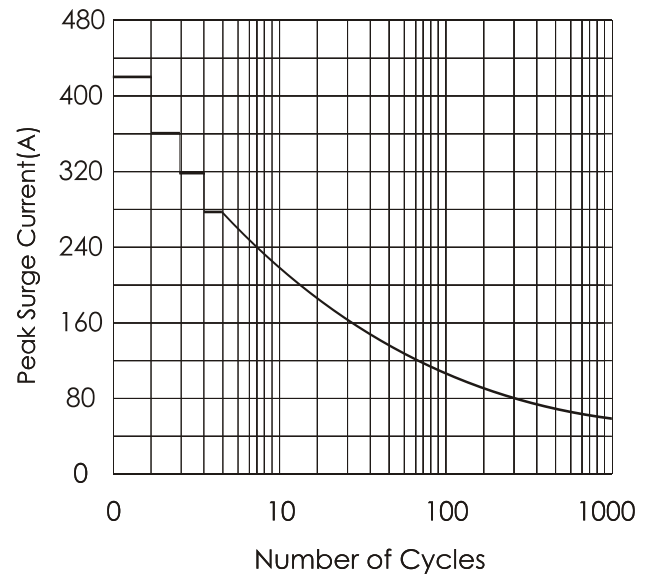
SAA1-250Z

SDA2-250Z

SAA2-250Z

SDA3-250Z

SAA3-250Z



Standard heatsink

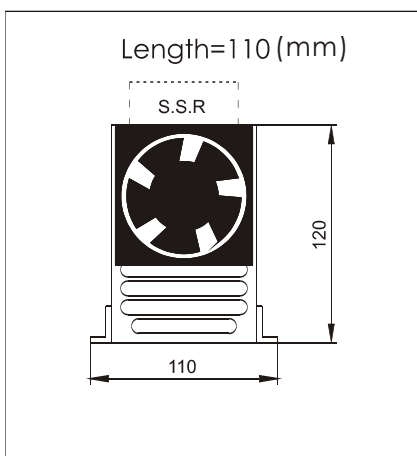
1) UHS118 Series

	MODEL	Length(mm)
	UHS118-1-45	45
	UHS118-1-60	60
	UHS118-1-80	80
	<u>UHS118-3-120</u>	120
	<u>UHS118-3-150</u>	150

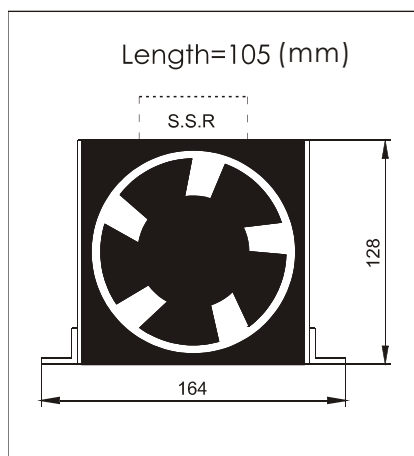
2)UHS11 Series

	MODEL	Length(mm)
	UHS11-1-80	80
	UHS11-1-105	105
	UHS11-3-80	80
	UHS11-3-105	105
	UHS11-3-150	150

3) UHS120V80-3-110



4) UHS124V128-3-105



5)UHS126 - P

MODEL	Length(mm)
UHS126-P-40	40
UHS126-P-50	50