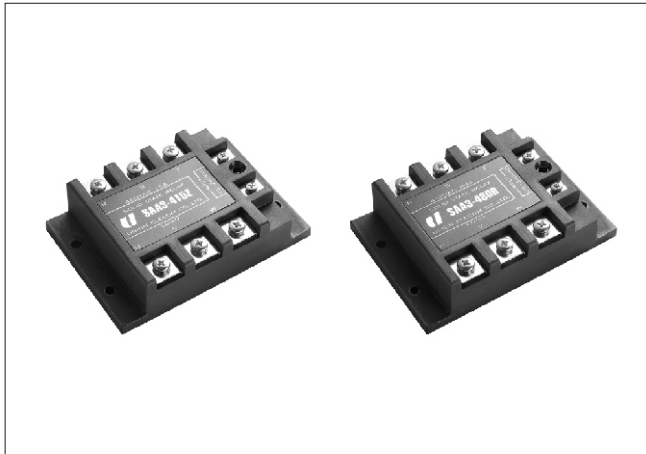


# SAA3-4 Series



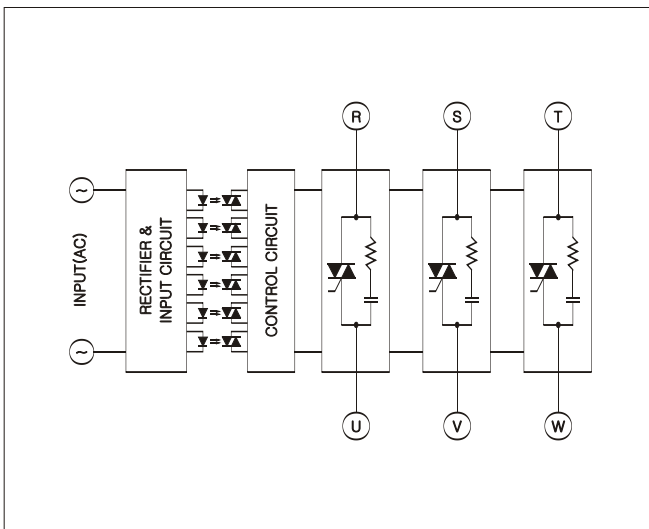
## Input AC/Output AC 3-Phase Mold

- 15 - 50Amp AC460V Output
- AC 2500V Isolation
- Normally Open
- LED Indicator
- Panel Mount with Heatsink
- UL Approved
- CE Approved

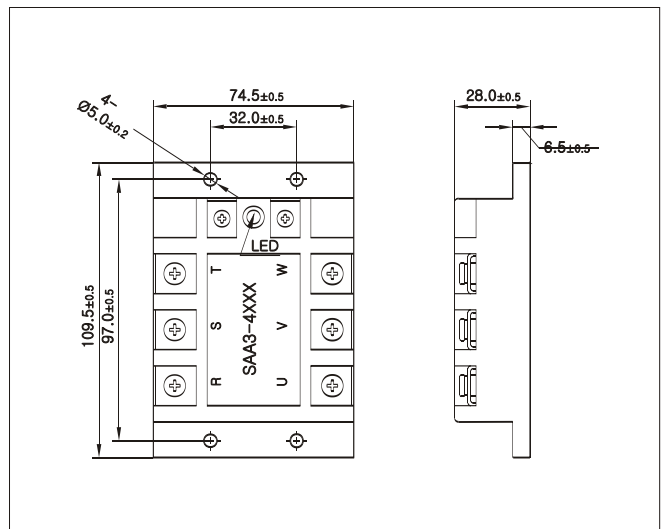
### SPECIFICATIONS

Item		SAA3-415Z	SAA3-425Z	SAA3-440Z	SAA3-450Z	Unit
OUTPUT	RMS ON-STATE LOAD CURRENT	15	25	40	50	Arms
	LOAD VOLTAGE RANGE	50 ~ 460				Vrms
	BLOCKING VOLTAGE	1,200				Vrms
	PEAK 1-CYCLE SURGE CURRENT	200	250	370	525	Arms
	ON-STATE VOLTAGE DROP	2 Max				Vrms
	OFF-STATE LEAKAGE CURRENT	20 Max				mArms
INPUT	INPUT VOLTAGE RANGE	85 ~ 240				Vrms
	PICK-UP VOLTAGE	85 Max				Vrms
	DROP-OUT VOLTAGE	40 Min				Vrms
GENERAL	ISOLATION VOLTAGE	2,500Vrms between I/O terminals and case for 1 minute				/
	ISOLATION RESISTANCE	500Vdc 100Mohm between I/O terminals and case				/
	OPERATING TEMPERATURE	-30 ~ +80				°C
	STORAGE TEMPERATURE	-30 ~ +100				(°C)
	TURN-ON TIME	1/2 Cycle Max				/
	TURN-OFF TIME	1/2 Cycle max				/
	ZERO-CROSS OR RANDOM	Zero-cross				/

### BLOCK DIAGRAM



### DIMENSIONS (UNIT : MM)



**Characteristic curve**

**A. 15Amp S.S.R**

**S.S.R Model**

SDA3-215Z/415Z

SAA3-215Z/415Z

**Heatsink**

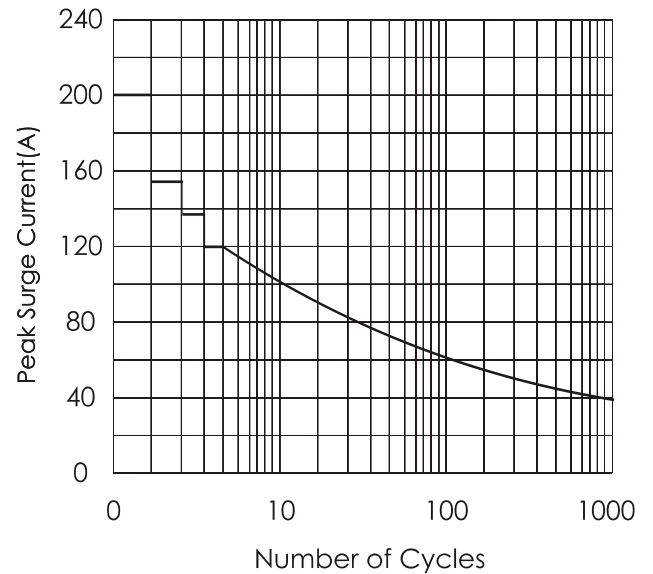
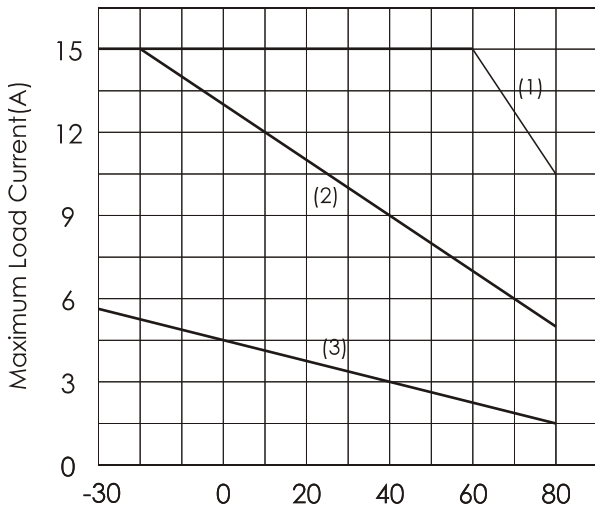
(1)Infinite(2)UHS118-3-120(3)Non

**S.S.R Model**

SDA1-415Z/415R SAA1-415Z

SDA2-415Z SAA2-415Z

SDA3-415Z SAA3-415Z



**B. 25Amp S.S.R**

**S.S.R Model**

SDA3-225Z/425Z

SAA3-225Z/425Z

**Heatsink**

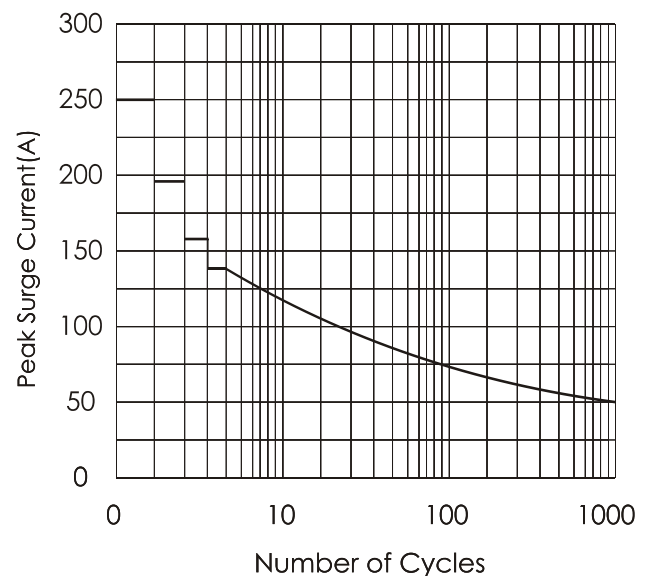
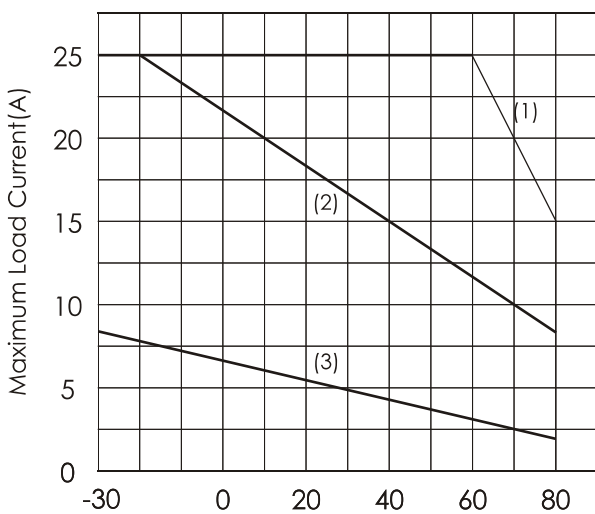
(1)Infinite(2)UHS118-3-150(3)Non

**S.S.R Model**

SDA1-425Z/425R SAA1-425Z

SDA2-425Z SAA2-425Z

SDA3-425Z SAA3-425Z



**Characteristic curve**

**C. 40Amp S.S.R**

**S.S.R Model**

SDA3-240Z/440Z

SAA3-240Z/440Z

**Heatsink**

(1) Infinite (2) [UHS120V80-3-110 with FAN](#)

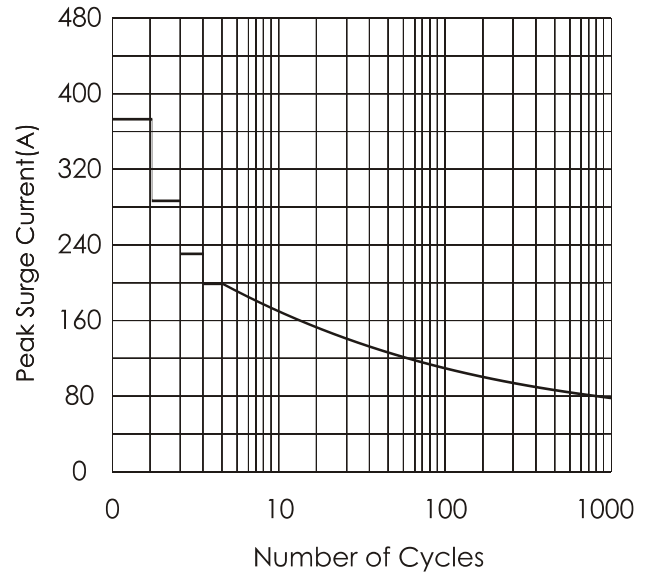
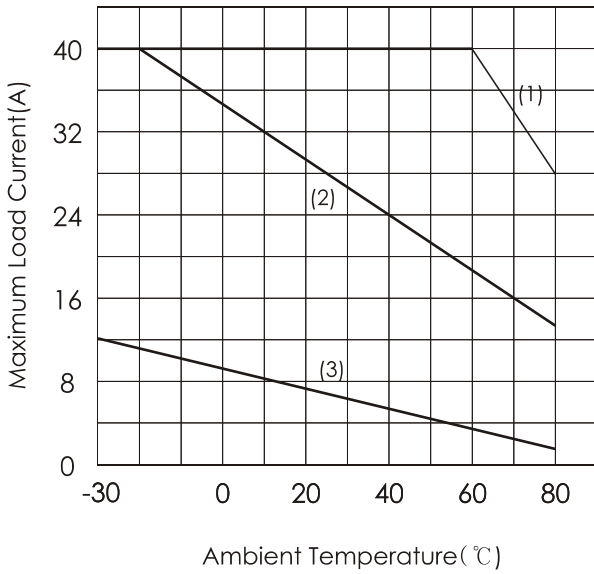
(3) Non

**S.S.R Model**

SDA1-440Z/440R SAA1-440Z

SDA2-440Z SAA2-440Z

SDA3-440Z SAA3-440Z



**D. 50Amp S.S.R**

**S.S.R Model**

SDA3-250Z/450Z

SAA3-250Z/450Z

**Heatsink**

(1) Infinite (2) [124V128-3-105 with FAN](#)

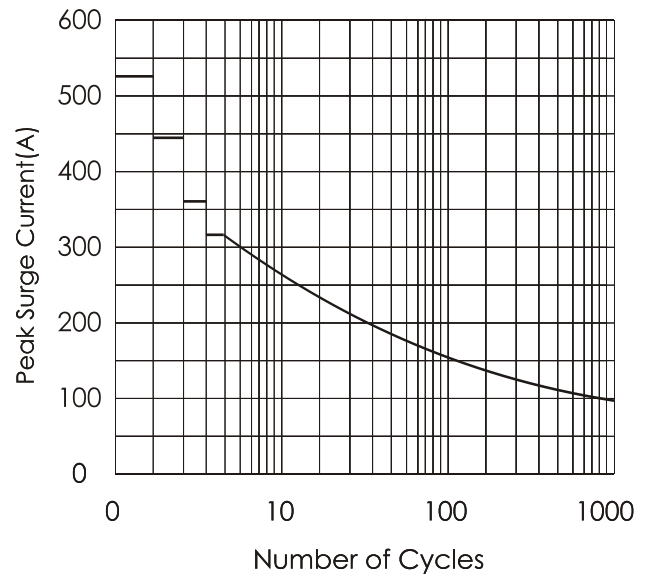
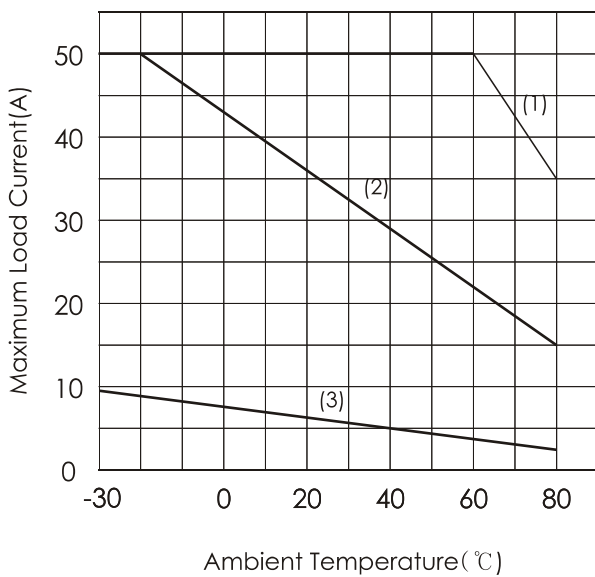
(3) Non

**S.S.R Model**

SDA1-450Z/450R SAA1-450Z

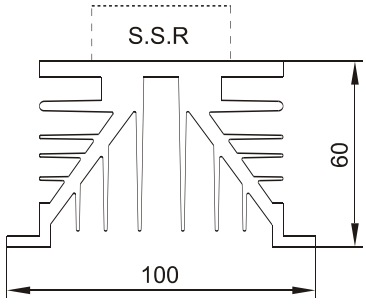
SDA2-450Z SAA2-450Z

SDA3-450Z SAA3-450Z

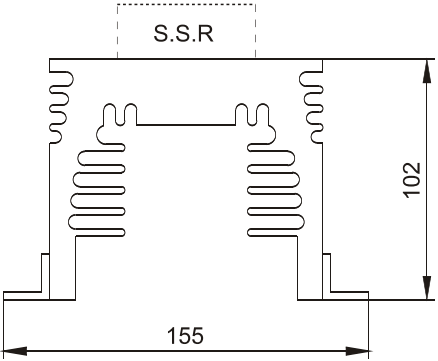


**Standard heatsink**

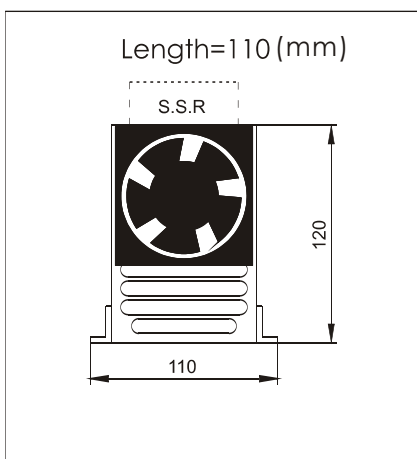
**1) UHS118 Series**

	MODEL	Length(mm)
	UHS118-1-45	45
	UHS118-1-60	60
	UHS118-1-80	80
	<u>UHS118-3-120</u>	120
	<u>UHS118-3-150</u>	150

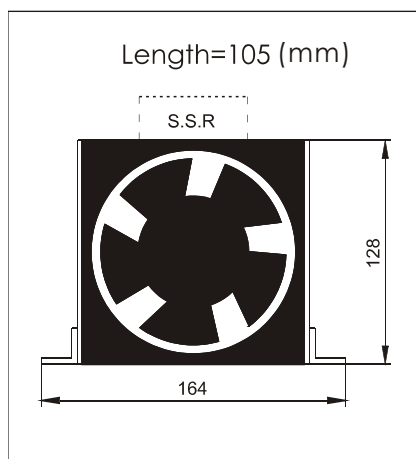
**2 )UHS11 Series**

	MODEL	Length(mm)
	UHS11-1-80	80
	UHS11-1-105	105
	UHS11-3-80	80
	UHS11-3-105	105
	UHS11-3-150	150

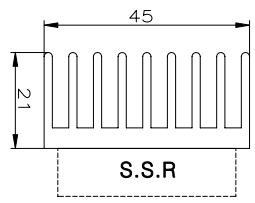
**3) UHS120V80-3-110**



**4) UHS124V128-3-105**



**5)UHS126 - P**

	
MODEL	Length(mm)
UHS126-P-40	40
UHS126-P-50	50