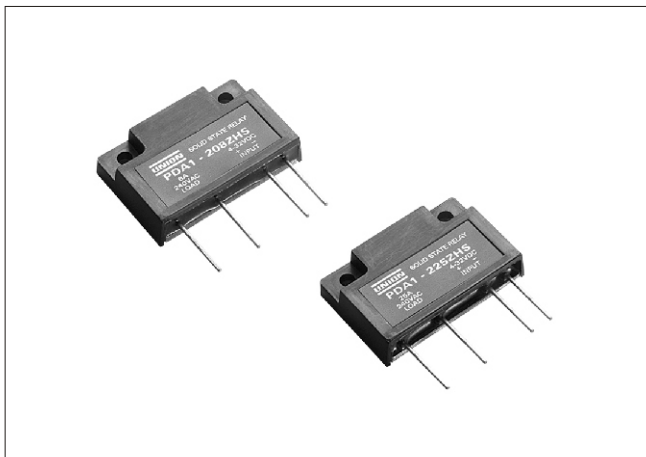


PDA1- HS Series



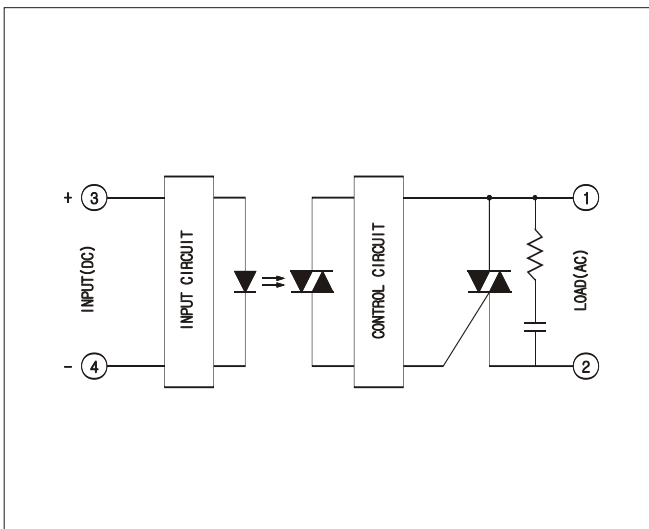
Input DC/Output AC PCB with Heatsink

- 8 - 25Amp AC240V Output
- AC SIP
- AC 2500V Isolation
- Normally Open
- Built-in Snubber
- PCB Mount with Heatsink

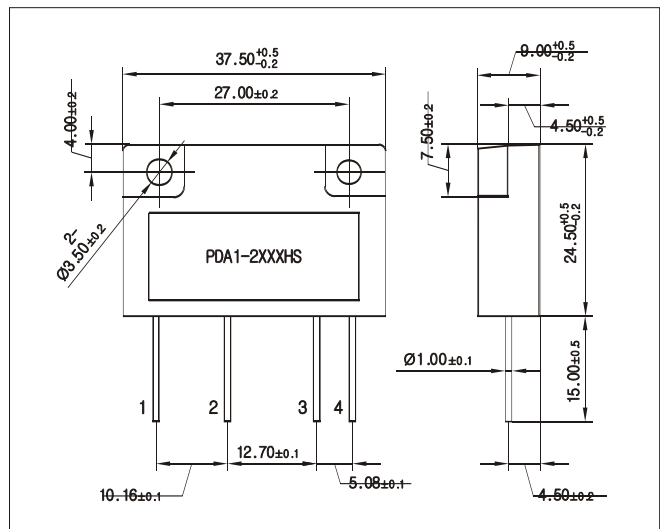
SPECIFICATIONS

Item		PDA1-208ZHS	PDA1-215ZHS	PDA1-225ZHS	Unit
OUTPUT	RMS ON-STATE LOAD CURRENT	8	15	25	Arms
	LOAD VOLTAGE RANGE	50 ~ 240			Vrms
	BLOCKING VOLTAGE	600			Vrms
	PEAK 1-CYCLE SURGE CURRENT	84	170	210	Arms
	ON-STATE VOLTAGE DROP	2 Max			Vrms
	OFF-STATE LEAKAGE CURRENT	1 Max			mArms
INPUT	INPUT VOLTAGE RANGE	4 ~ 32			Vdc
	PICK-UP VOLTAGE	4 Max			Vdc
	DROP-OUT VOLTAGE	1 Min			Vdc
GENERAL	ISOLATION VOLTAGE	2,500Vrms between I/O terminals and case for 1 minute			/
	ISOLATION RESISTANCE	500Vdc 100Mohm between I/O terminals and case			/
	OPERATING TEMPERATURE	-30 ~ +80			°C
	STORAGE TEMPERATURE	-30 ~ +100			°C
	TURN-ON TIME	1/2 Cycle Max			/
	TURN-OFF TIME	1/2 Cycle max			/
	ZERO-CROSS OR RANDOM	Zero-cross			/

BLOCK DIAGRAM



DIMENSIONS (UNIT : MM)



Characteristic curve

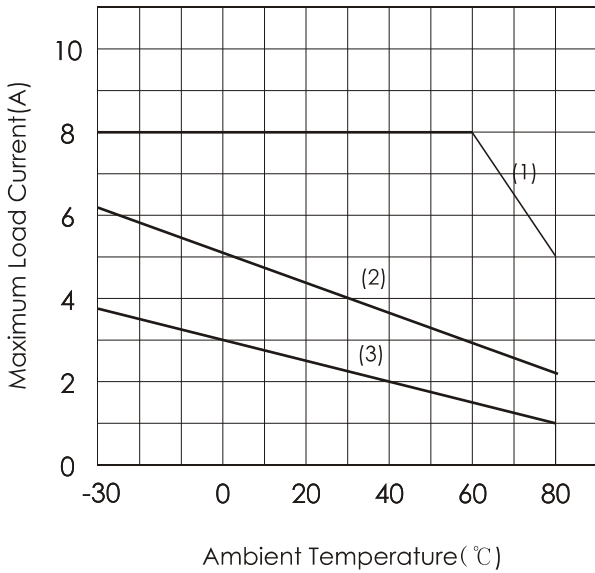
A. 8Amp S.S.R

S.S.R Model

PDA1-208ZHL/208ZHS
PDD0-108NHS/208NHS/608NHS

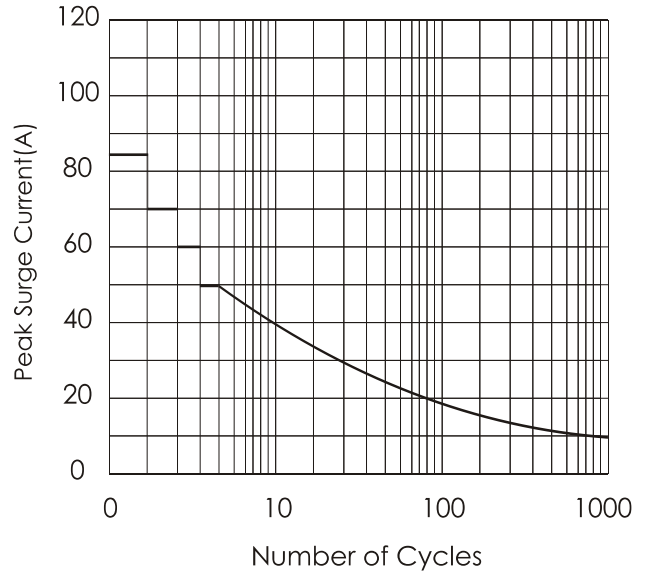
Heatsink

(1)Infinite(2)UHS126-P-40.(3)Non



S.S.R Model

PDA1-208Z/208R
PDA1-208ZHL/208ZHS



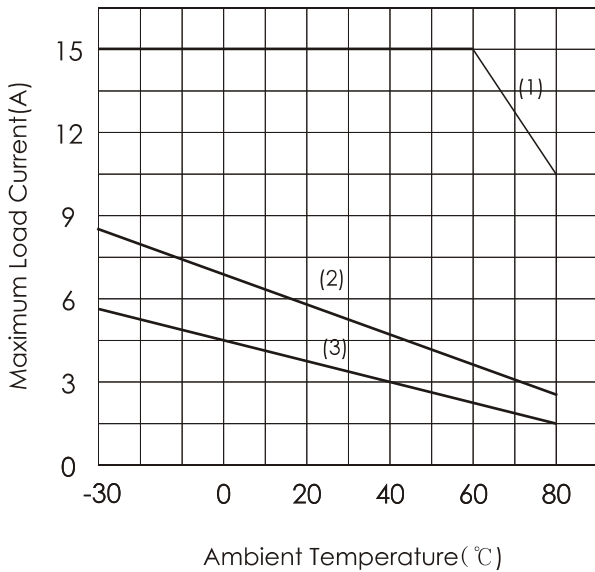
B. 15Amp S.S.R

S.S.R Model

PDA1-215ZHL/215ZHS
PDD0-115NHS/215NHS/615NHS

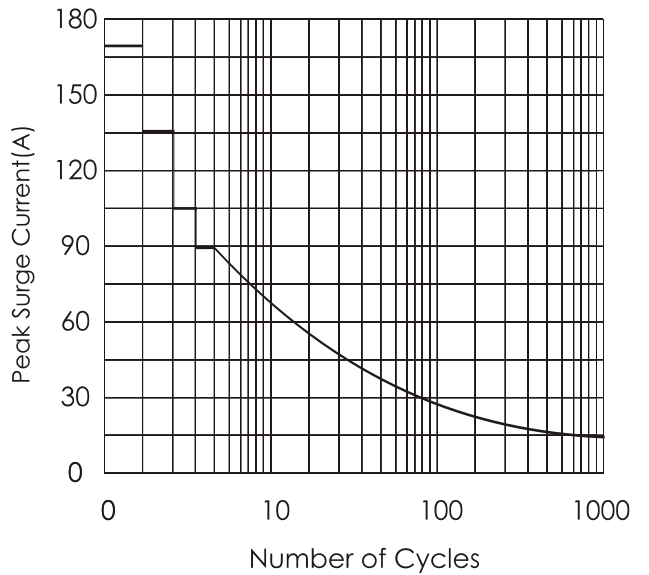
Heatsink

(1)Infinite(2)UHS126-P-40.(3)Non



S.S.R Model

PDA1-215ZHL/215ZHS
SDA1-215Z/215R SAA1-215Z
SDA2-215Z SAA2-215Z
SDA3-215Z SAA3-215Z



Characteristic curve

C. 25Amp S.S.R

S.S.R Model

PDA1-225ZHL/225ZHS

Heatsink

(1) Infinite (2) UHS126-P-50 (3) Non

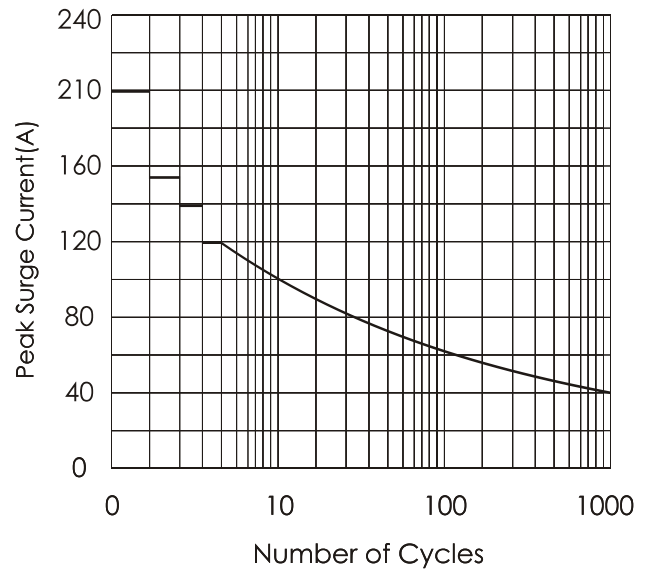
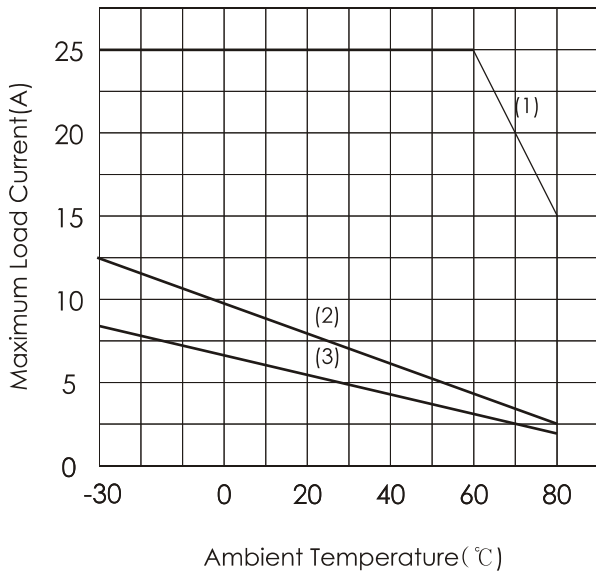
S.S.R Model

PDA1-225ZHL/225ZHS

SDA1-225Z/225R SAA1-225Z

SDA2-225Z SAA2-225Z

SDA3-225Z SAA3-225Z



Standard heatsink

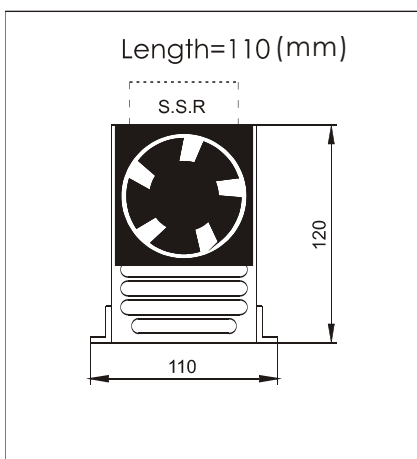
1) UHS118 Series

	MODEL	Length(mm)
	UHS118-1-45	45
	UHS118-1-60	60
	UHS118-1-80	80
	UHS118-3-120	120
	UHS118-3-150	150

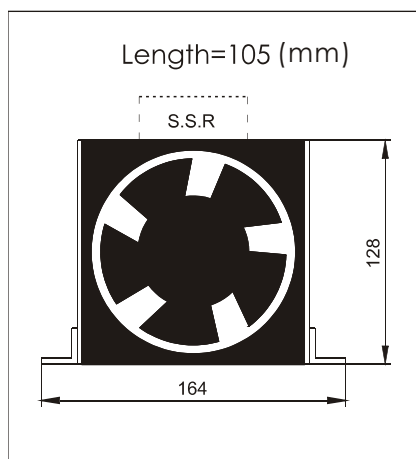
2)UHS11 Series

	MODEL	Length(mm)
	UHS11-1-80	80
	UHS11-1-105	105
	UHS11-3-80	80
	UHS11-3-105	105
	UHS11-3-150	150

3) UHS120V80-3-110



4) UHS124V128-3-105



5)UHS126 - P

MODEL	Length(mm)
<u>UHS126-P-40</u>	40
<u>UHS126-P-50</u>	50