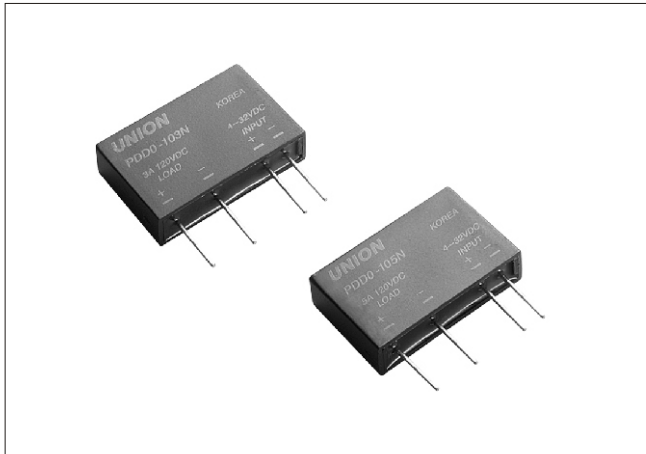


PDD0 Series



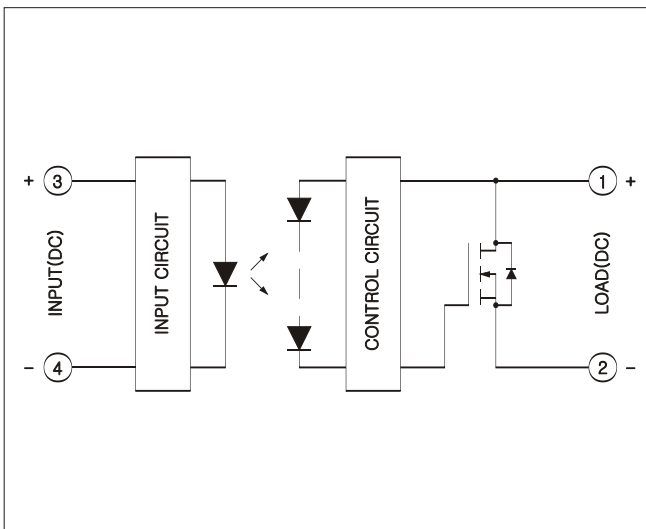
Input DC/Output DC PCB

- 3 - 5Amp DC120V Output
- AC2500V Isolation
- DC SIP
- Normally Open
- LED Indicator
- PCB Mount

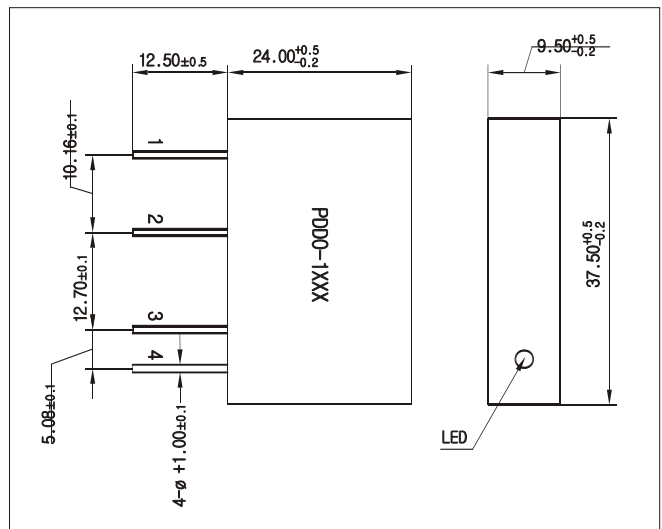
SPECIFICATIONS

Item		PDD0-103N	PDD0-105N	Unit
OUTPUT	DC ON-STATE LOAD CURRENT	3	5	Adc
	LOAD VOLTAGE RANGE	5 ~ 120		Vdc
	BLOCKING VOLTAGE	200		Vdc
	ON-STATE VOLTAGE DROP	2 Max		Vdc
	OFF-STATE LEAKAGE CURRENT	1 Max		mAdc
INPUT	INPUT VOLTAGE RANGE	4 ~ 32		Vdc
	PICK-UP VOLTAGE	4 Max		Vdc
	DROP-OUT VOLTAGE	1 Min		Vdc
GENERAL	ISOLATION VOLTAGE	2,500Vrms between I/O terminals and case for 1 minute		/
	ISOLATION RESISTANCE	500Vdc 100Mohm between I/O terminals and case		/
	OPERATING TEMPERATURE	-30 ~ +80		°C
	STORAGE TEMPERATURE	-30 ~ +100		°C
	TURN-ON TIME	1 Max		msec
	TURN-OFF TIME	1 Max		msec

BLOCK DIAGRAM



DIMENSIONS (UNIT : MM)



Characteristic curve

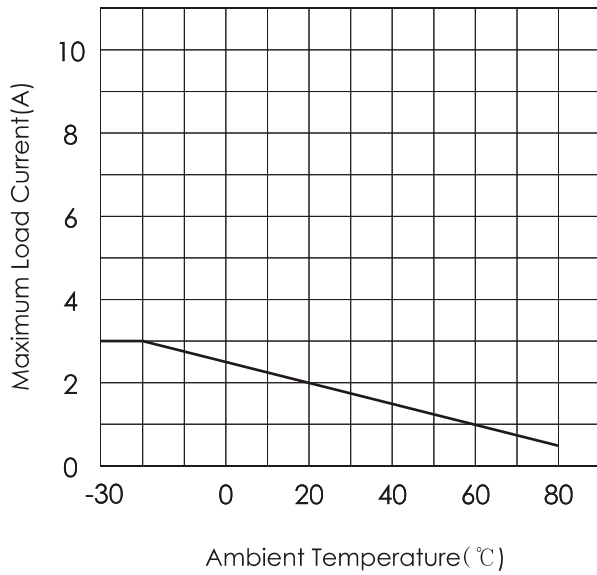
A. 3Amp S.S.R

S.S.R Model

PDD0-103N

Heatsink

Non



B. 5Amp S.S.R

S.S.R Model

PDD0-105N

Heatsink

Non

