

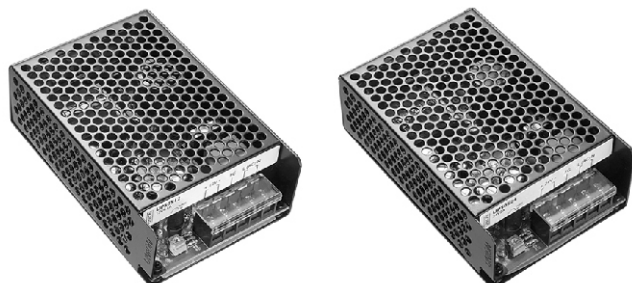
S.M.P.S

Enclosed Switching Power Supply

General Type

50S Series

50W SINGLE OUTPUT



- ▶ Constant voltage design
- ▶ Wide input range
- ▶ Protection : Over load /Over voltage/Short circuit
- ▶ 100% full load burn-in test
- ▶ DC Adjust range : Fixed,can be modified within $\pm 5\%$ rated output voltage
- ▶ Suitable for LED lighting and industrial applications
- ▶ Safety standards : EN60950-1/K61347-2-1,K61347-2-13
- ▶ EMC standards : K00015,K61547,K61000-4-2,3,4,5,6,11
- ▶ 3years warranty



(For 12V,24V only)



SPECIFICATIONS

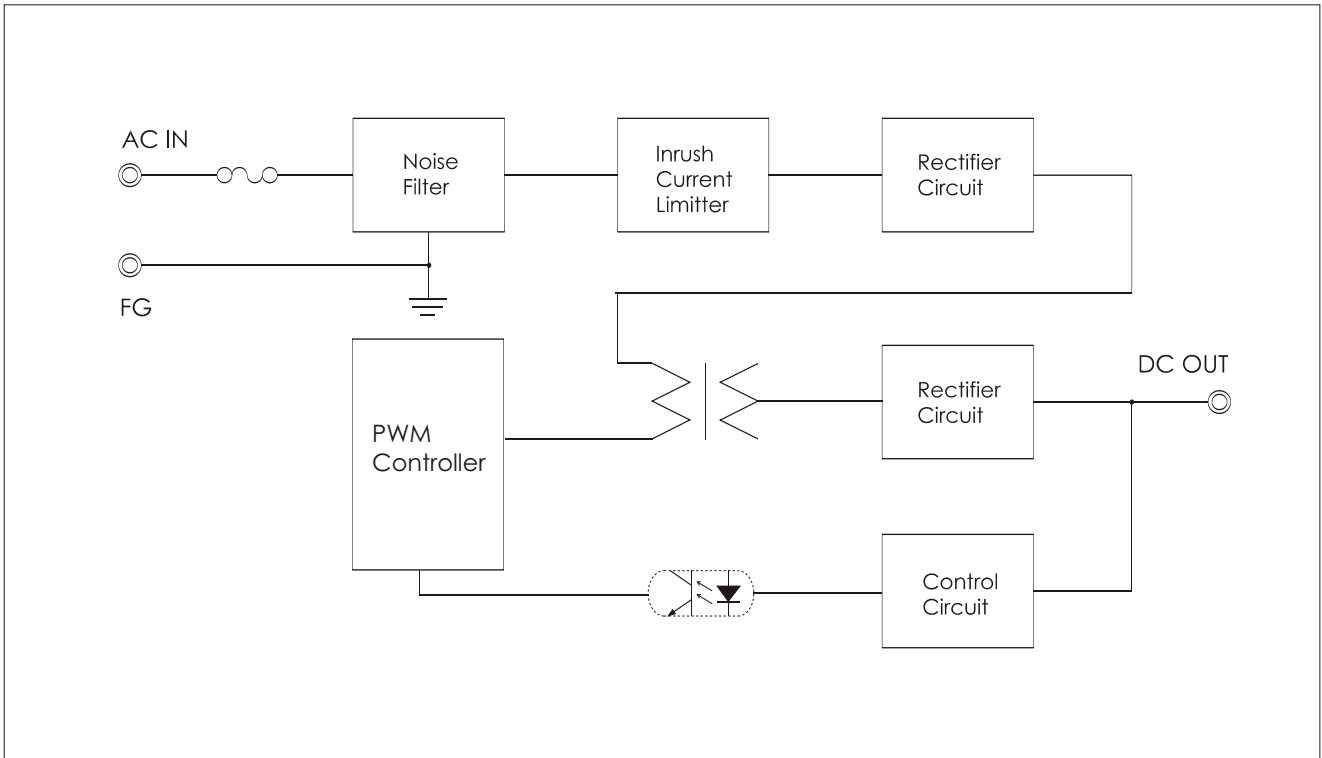
Item		UP50S05	UP50S09	UP50S12	UP50S15	UP50S24	
INPUT	VOLTAGE	AC85~264V				1.2A typ (ACIN 110V, lo=100%) 0.6A typ (ACIN 220V, lo=100%)	
	FREQUENCY	50/60Hz(47~63Hz)					
	EFFICIENCY	70% Typ	75% Typ	80% Typ	80% Typ	83% Typ	
	INRUSH CURRENT	20A Typ(ACIN 110V, lo=100%)/40A Typ(ACIN 220V, lo=100%) at cold start					
OUTPUT	VOLTAGE [V]	5	9	12	15	24	
	CURRENT [A]	10.0	5.5	4.1	3.3	2.0	
	LINE REGULATION [mV]	25 Max	45 Max	60 Max	75 Max	120 Max	
	LOAD REGULATION [mV]	50 Max	90 Max	120 Max	150 Max	240 Max	
	RIPPLE [mVp-p]	50 Max	90 Max	120 Max	150 Max	240 Max	
	RIPPLE NOISE [mVp-p]	100 Max	140 Max	170 Max	200 Max	290 Max	
	TEMPERATURE DRIFT,0-50°C [mV]	50 Max	90 Max	120 Max	150 Max	240 Max	
	RISE TIME [msec]	100 Max (ACIN 85V, lo=100%)					
HOLDING TIME [msec]	10 Typ(ACIN 85V, lo=100%)						
PROTECTION	OVER CURRENT PROTECTION	Works at over 110% of rating and recovers automatically					
	OVER VOLTAGE PROTECTION	Works at 115~140% of rating					
ISOLATION	INPUT-OUTPUT	AC3,000V for 1 minute, DC500V 100Mohm (At room temp. & humid.)					
	INPUT-CASE, FG	AC1,500V for 1 minute, DC500V 100Mohm (At room temp. & humid.)					
	OUTPUT-CASE	AC500V for 1 minute, DC500V 100Mohm (At room temp. & humid.)					
ENVIRONMENT	OPERATING TEMP. & HUMID.	-10~+60°C (refer to "DERATING CURVE),20~90%RH					
	STORAGE TEMP. & HUMID.	-10~+75°C,20~90%RH					
	VIBRATION	10~55Hz at 1G 3 minutes period, 30 minutes along X, Y and Z axis					
	IMPACT	10G for 20 msec, Once on each X, Y and Z axis					

S.M.P.S

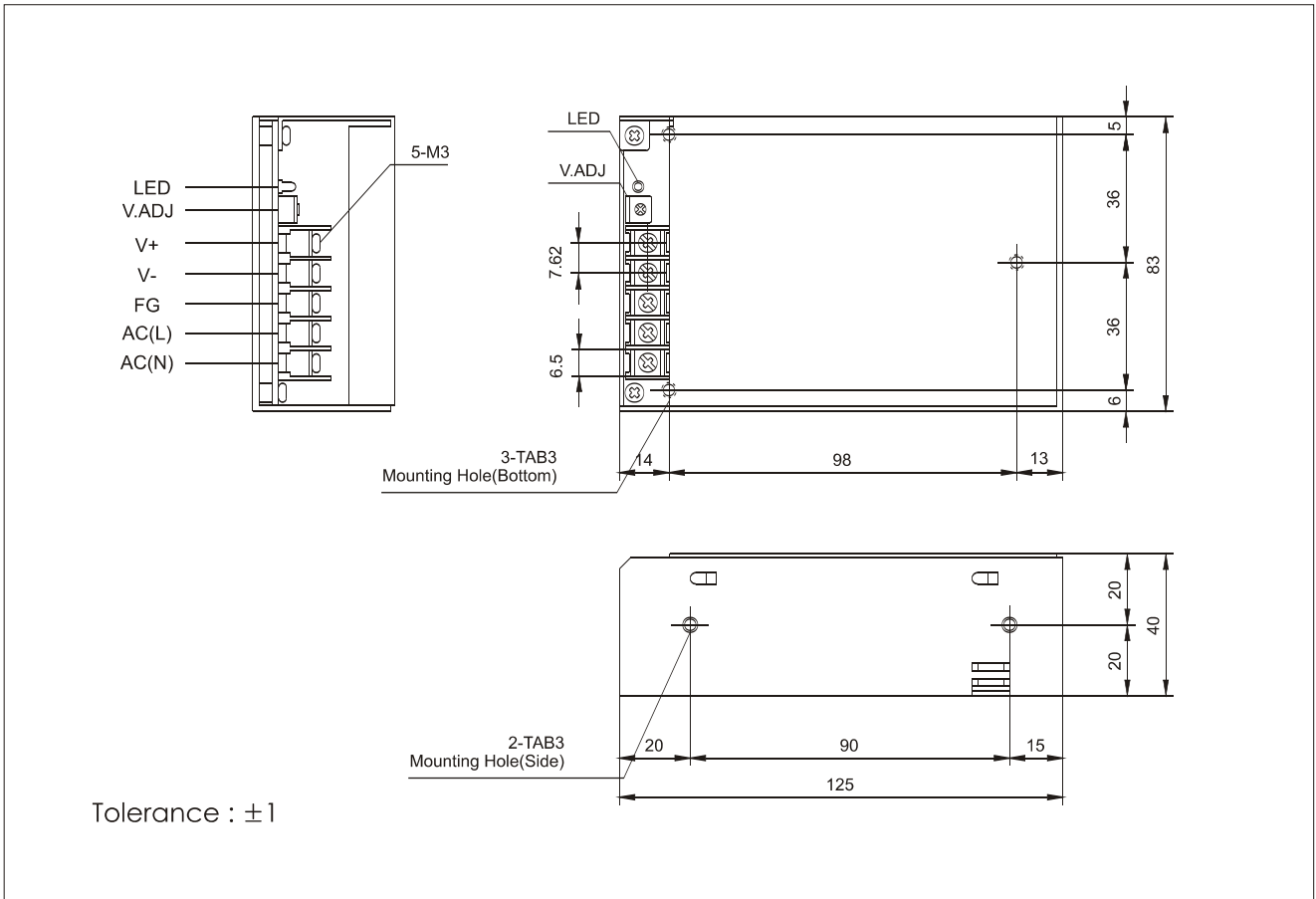
Enclosed Switching Power Supply

General Type

BLOCK DIAGRAM



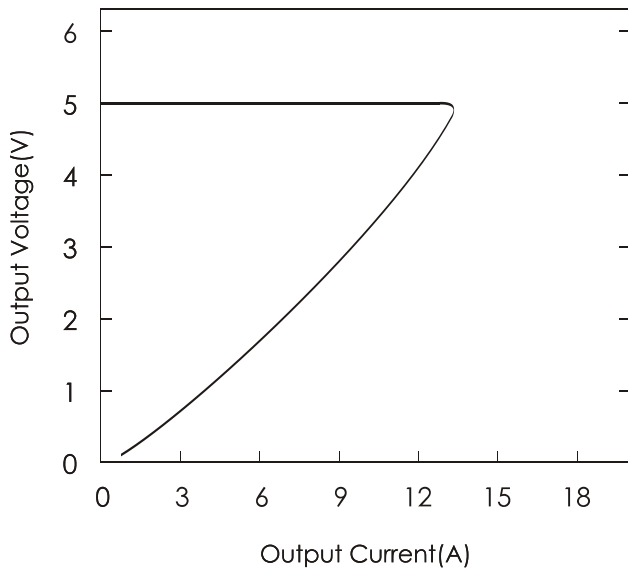
DIMENSIONS(UNITS : MM)



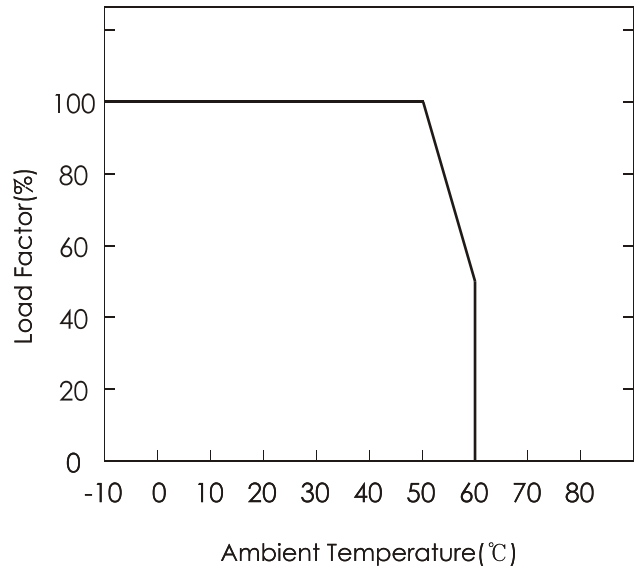
Characteristic curve

*(5V MODEL)

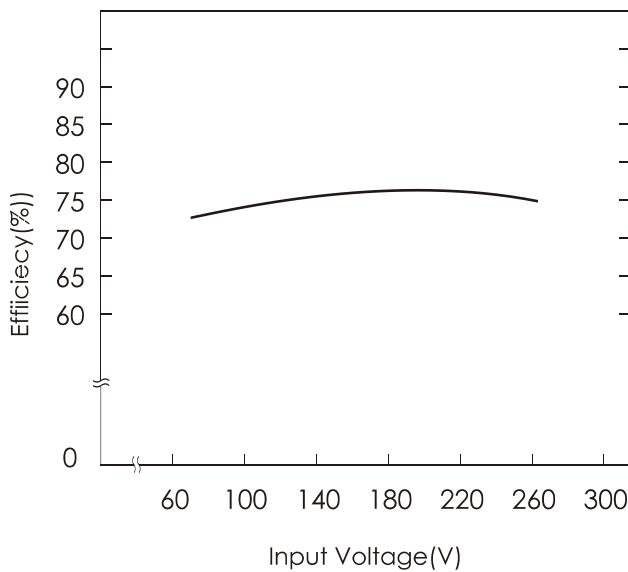
A. OVER CURRENT CHARACTERISTICS



B. DERATING CHARACTERISTICS



C. EFFICIENCY CHARACTERISTICS



D. RISING/FALLING TIME CHARACTERISTICS

