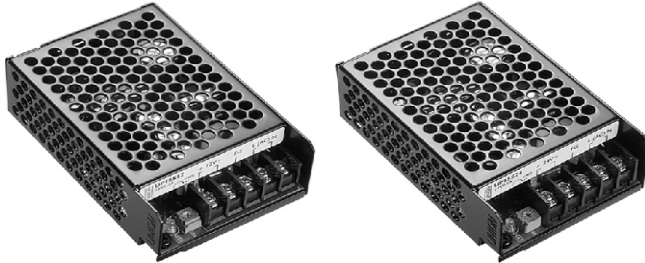


# 15S Series

15W SINGLE OUTPUT



- ▶ Constant voltage design
- ▶ Wide input range
- ▶ Protection : Over load /Over voltage/Short circuit
- ▶ 100% full load burn-in test
- ▶ DC Adjust range : Fixed, can be modified within  $\pm 5\%$  rated output voltage
- ▶ Suitable for industrial applications
- ▶ Safety standards : EN60950-1
- ▶ 3years warranty



## SPECIFICATIONS

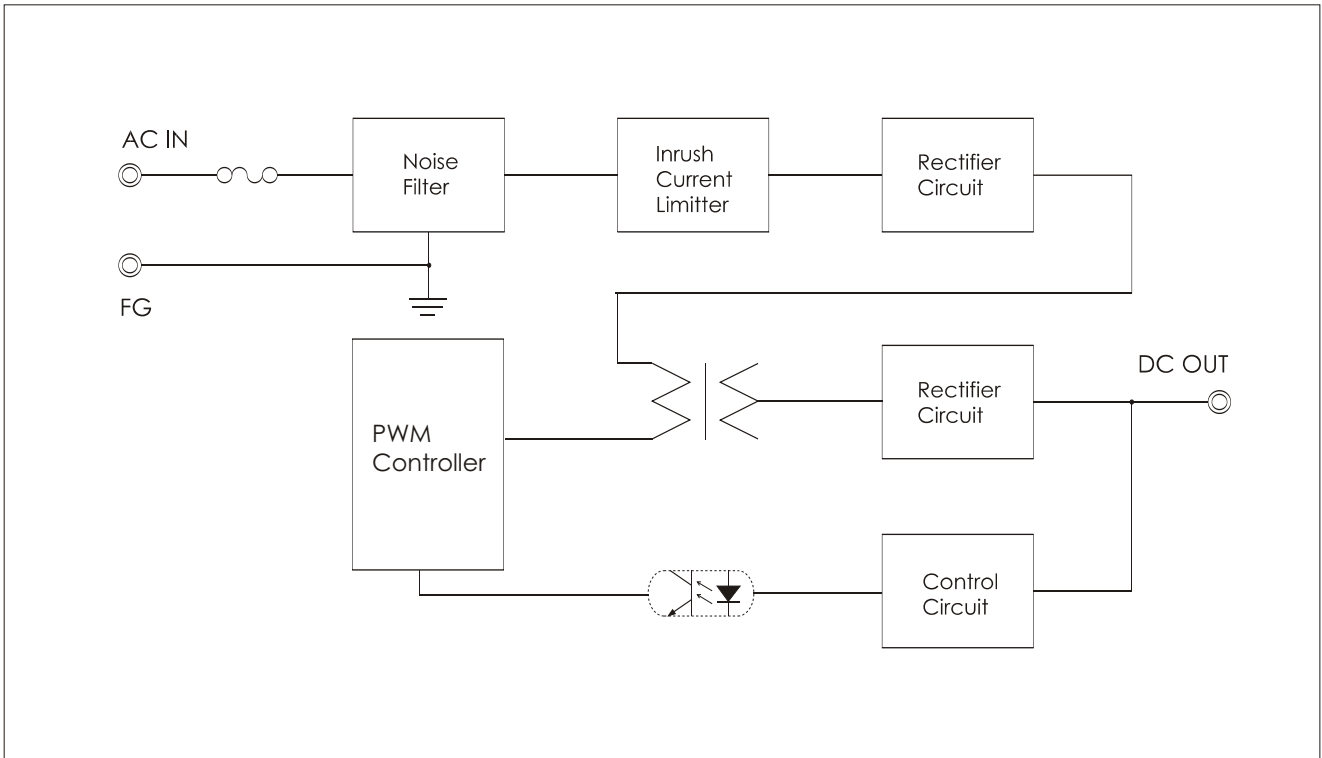
Item		UP15S05	UP15S09	UP15S12	UP15S15	UP15S24
INPUT	VOLTAGE	AC85~264V				0.4A typ (ACIN 110V, Io=100%) 0.2A typ (ACIN 220V, Io=100%)
	FREQUENCY	50/60Hz(47~63Hz)				
	EFFICIENCY	75% Typ	75% Typ	75% Typ	78% Typ	80% Typ
	INRUSH CURRENT	20A Typ(ACIN 110V, Io=100%)/40A Typ(ACIN 220V, Io=100%) at cold start				
OUTPUT	VOLTAGE [V]	<b>5</b>	<b>9</b>	<b>12</b>	<b>15</b>	<b>24</b>
	CURRENT [A]	<b>3.0</b>	<b>1.6</b>	<b>1.2</b>	<b>1.0</b>	<b>0.6</b>
	LINE REGULATION [mV]	25 Max	45 Max	60 Max	75 Max	120 Max
	LOAD REGULATION [mV]	50 Max	90 Max	120 Max	150 Max	240 Max
	RIPPLE [mVp-p]	50 Max	90 Max	120 Max	150 Max	240 Max
	RIPPLE NOISE [mVp-p]	100 Max	140 Max	170 Max	200 Max	290 Max
	TEMPERATURE DRIFT,0-50°C[mV]	50 Max	90 Max	120 Max	150 Max	240 Max
	RISE TIME [msec]	100 Max (ACIN 85V, Io=100%)				
HOLDING TIME [msec]	10 Typ(ACIN 85V, Io=100%)					
PROTECTION	OVER CURRENT PROTECTION	Works at over 110% of rating and recovers automatically				
	OVER VOLTAGE PROTECTION	Works at 115~140% of rating				
ISOLATION	INPUT-OUTPUT	AC3,000V for 1 minute, DC500V 100Mohm (At room temp. & humid.)				
	INPUT-CASE, FG	AC1,500V for 1 minute, DC500V 100Mohm (At room temp. & humid.)				
	OUTPUT-CASE	AC500V for 1 minute, DC500V 100Mohm (At room temp. & humid.)				
ENVIRONMENT	OPERATING TEMP. & HUMID.	-10~+60°C (refer to "DERATING CURVE"),20~90%RH				
	STORAGE TEMP. & HUMID.	-10~+75°C,20~90%RH				
	VIBRATION	10~50Hz at 1G 3 minutes period, 30 minutes along X, Y and Z axis				
	IMPACT	10G for 20 msec, Once on each X, Y and Z axis				

S.M.P.S

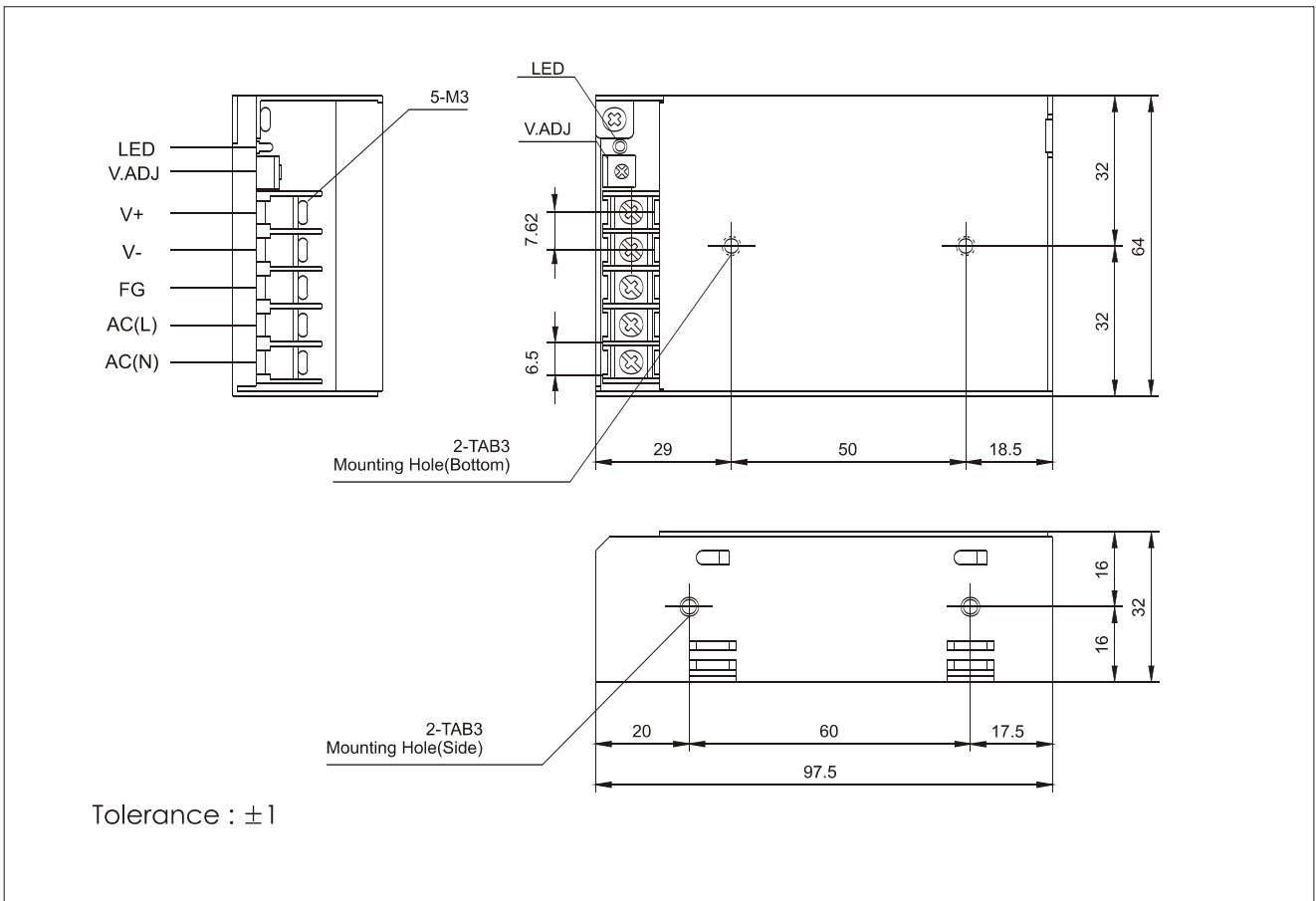
Enclosed Switching Power Supply

General Type

BLOCK DIAGRAM



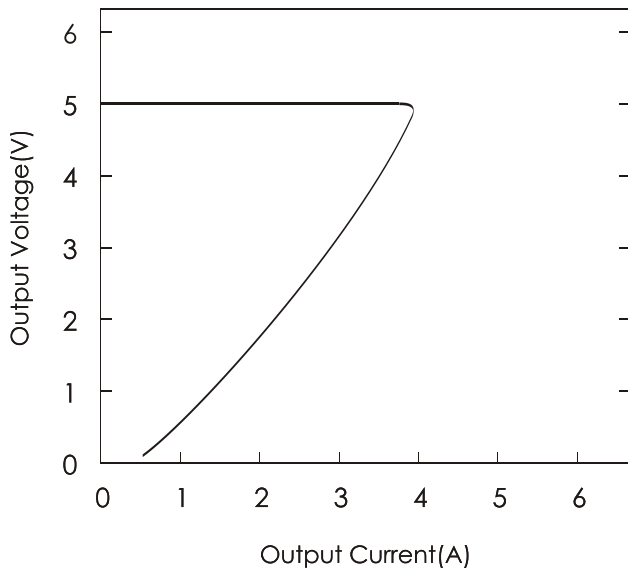
DIMENSIONS(UNITS : MM)



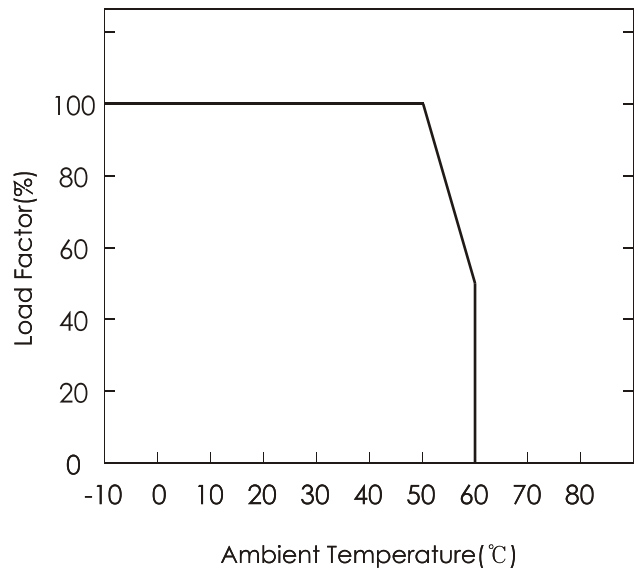
Characteristic curve

\*( 5V MODEL )

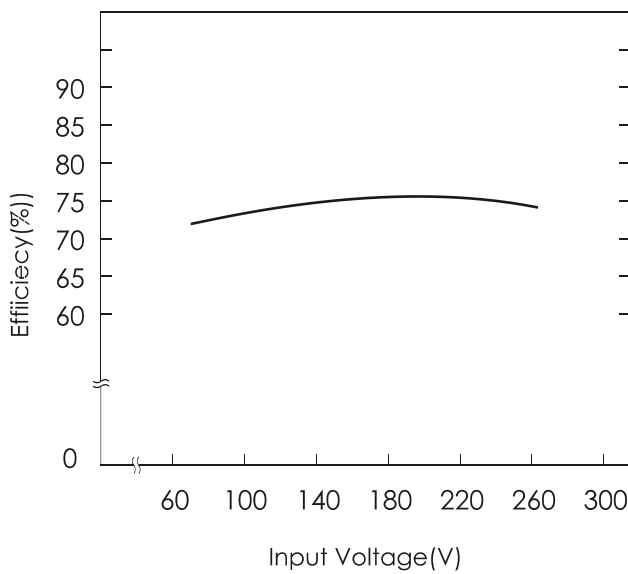
A. OVER CURRENT CHARACTERISTICS



B. DERATING CHARACTERISTICS



C. EFFICIENCY CHARACTERISTICS



D. RISING/FALLING TIME CHARACTERISTICS

