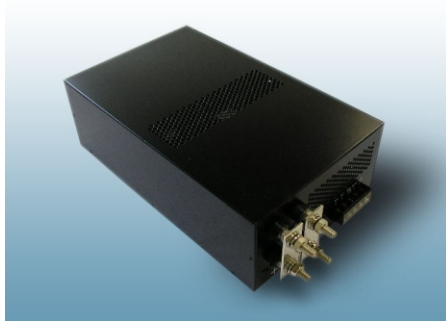


1200S Series

1200W SINGLE OUTPUT



- ▶ Constant voltage design
- ▶ Input voltage AC180~264V
- ▶ Protection : Over load /Over voltage/Short circuit
- ▶ 100% full load burn-in test
- ▶ DC Adjust range : Fixed, can be modified within $\pm 5\%$ rated output voltage
- ▶ Suitable for industrial applications
- ▶ Safety standards : EN60950-1
- ▶ 3years warranty



SPECIFICATIONS

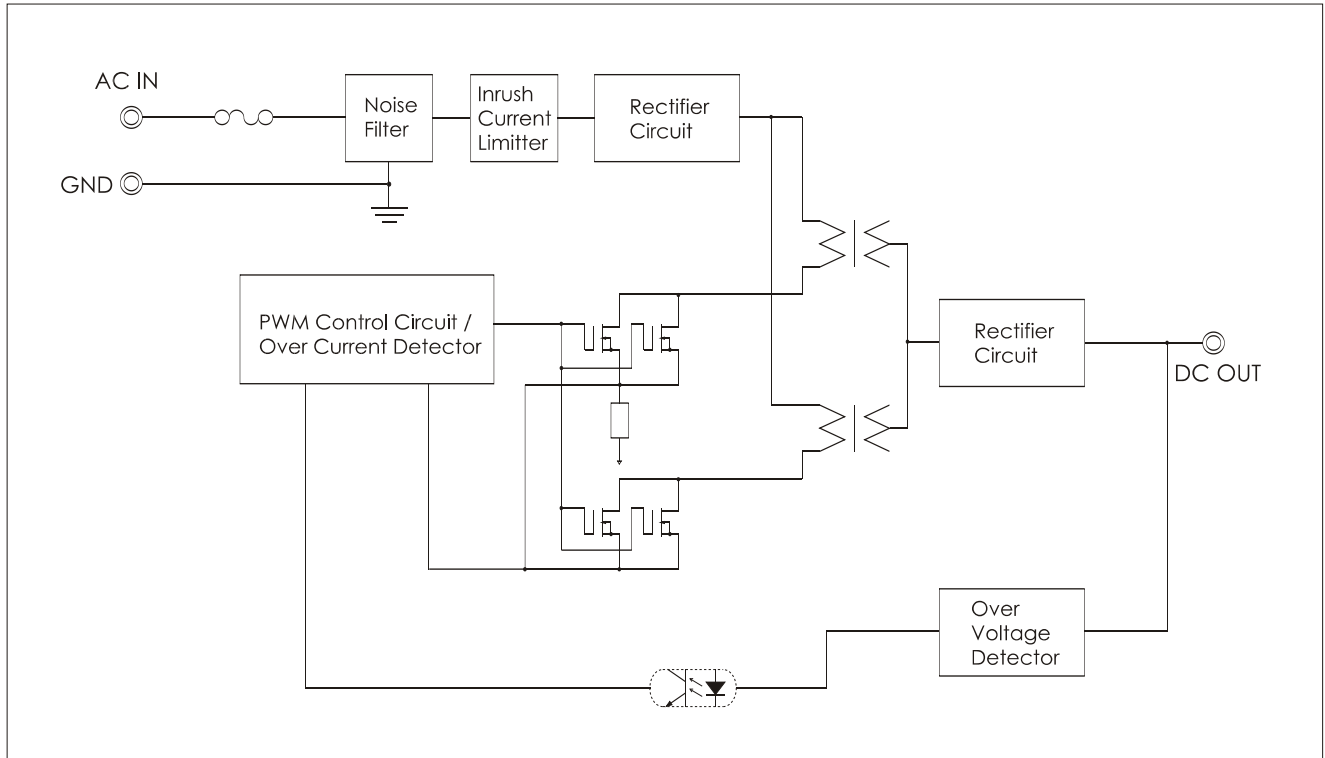
Item		UP1200S24
INPUT	VOLTAGE	AC180~264V 12 A typ (ACIN 220V, Io=100%)
	FREQUENCY	50/60Hz(47~63Hz)
	EFFICIENCY	82% Typ
	INRUSH CURRENT	60A Typ(ACIN 220V, Io=100%) at cold start
OUTPUT	VOLTAGE [V]	24
	CURRENT [A]	50.0
	LINE REGULATION [mV]	120 Max
	LOAD REGULATION [mV]	240 Max
	RIPPLE [mVp-p]	240 Max
	RIPPLE NOISE [mVp-p]	290 Max
	TEMPERATURE DRIFT,0-50°C [mV]	240 Max
	RISE TIME [msec]	1,500 Max (ACIN220V,Io=100%)
HOLDING TIME [msec]	20 Typ (ACIN220V,Io=100%)	
PROTECTION	OVER CURRENT PROTECTION	Works at over 110% of rating and recovers automatically
	OVER VOLTAGE PROTECTION	Works at 115~140% of rating
ISOLATION	INPUT-OUTPUT	AC3,000V for 1 minute, DC500V 100Mohm (At room temp. & humid.)
	INPUT-CASE, FG	AC1,500V for 1 minute, DC500V 100Mohm (At room temp. & humid.)
	OUTPUT-CASE	AC500V for 1 minute, DC500V 100Mohm (At room temp. & humid.)
ENVIRONMENT	OPERATING TEMP. & HUMID.	-10~+60°C (refer to "DERATING CURVE),20~90%RH
	STORAGE TEMP. & HUMID.	-10~+75°C,20~90%RH
	VIBRATION	10~55Hz at 1G 3 minutes period, 30 minutes along X, Y and Z axis
	IMPACT	10G for 20 msec, Once on each X, Y and Z axis

S.M.P.S

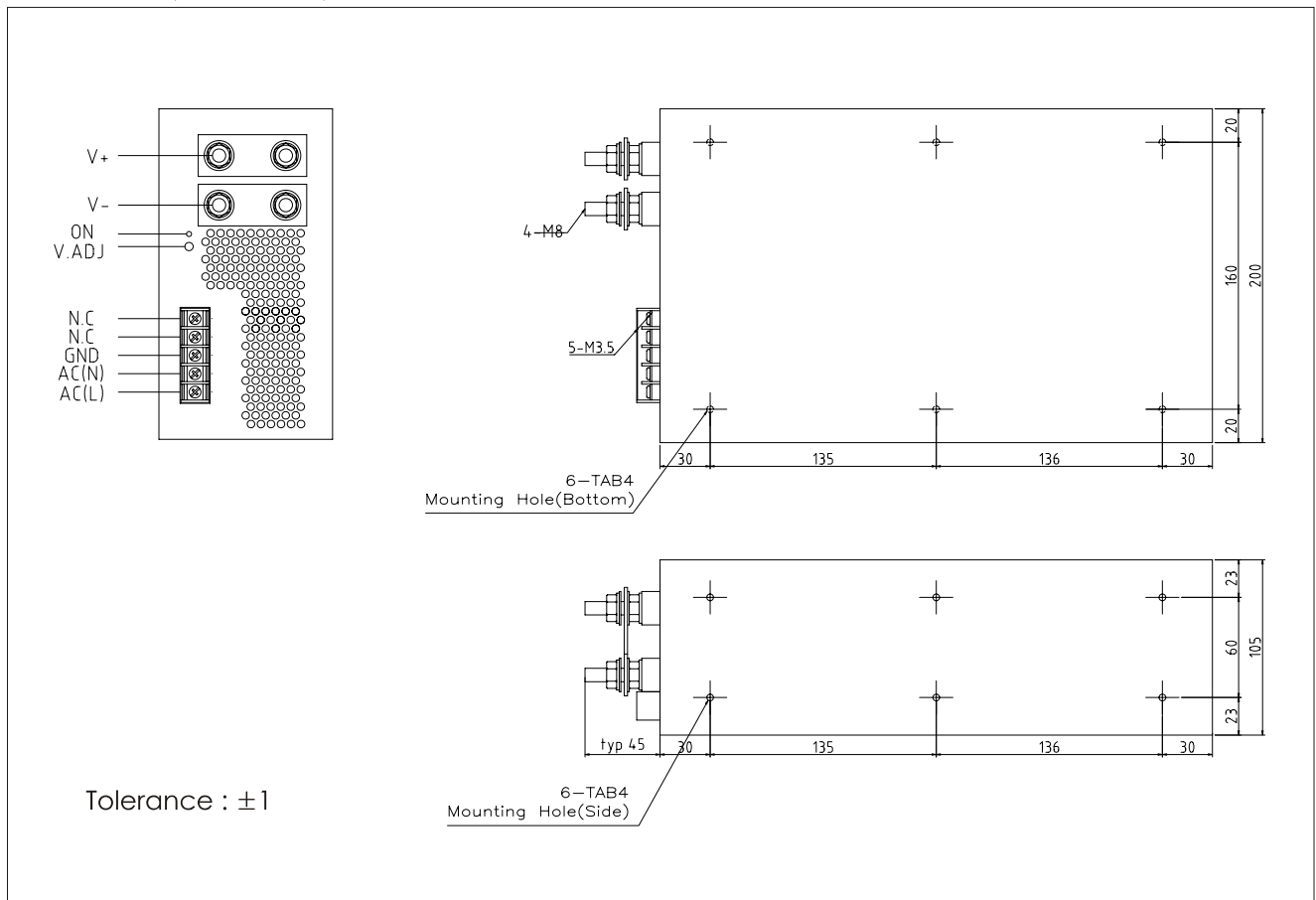
Enclosed Switching Power Supply

General Type

BLOCK DIAGRAM



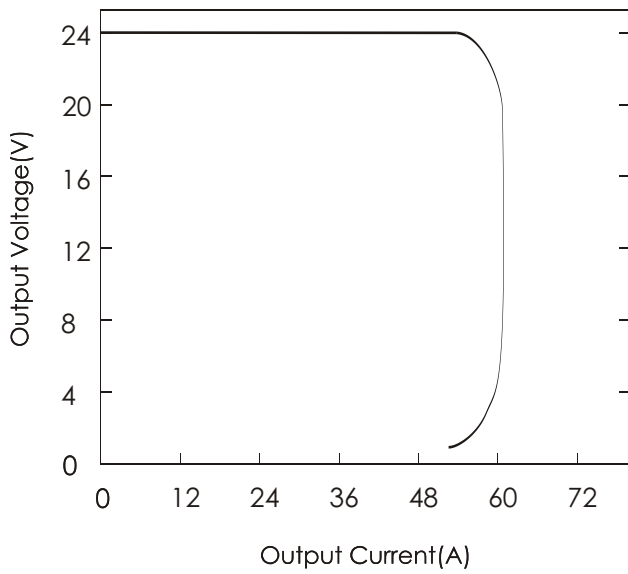
DIMENSIONS(UNITS : MM)



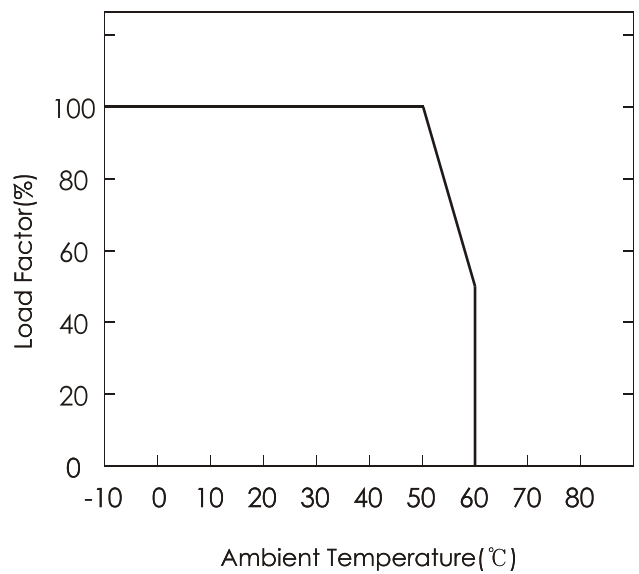
Characteristic curve

*(24V MODEL)

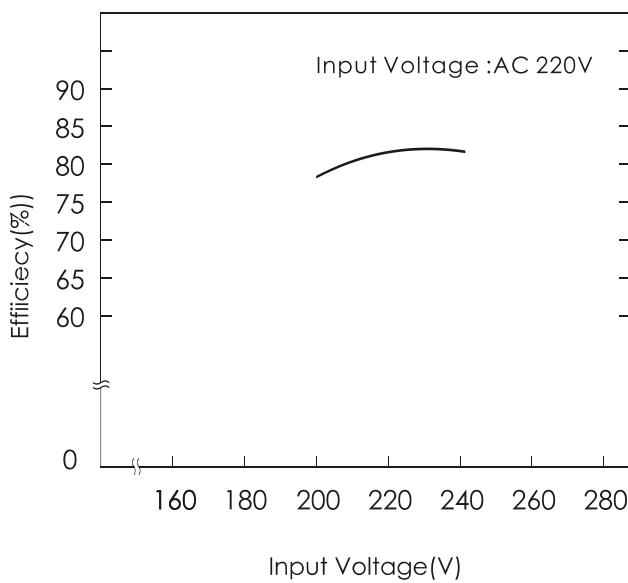
A. OVER CURRENT CHARACTERISTICS



B. DERATING CHARACTERISTICS



C. EFFICIENCY CHARACTERISTICS



D. RISING/FALLING TIME CHARACTERISTICS

