

S.M.P.S

LED Converter

Water Proof Converter

F300WQ Series

300W single output with constant voltage and PFC function



- Constant voltage design
- Built-in PFC function
- Wide input range
- Protections: Over load / Over voltage / Short circuit / Over temperature
- IP68 design for outdoor installations
- 100% full load burn-in test
- Suitable for LED lighting and moving sign applications
- Safety standards : EN61347-1, EN61347-2-13
K61347-1, K61347-2-13
- EMC standards : EN55015, EN61000-3-2,3 / K00015, K61547
- Metal case
- 3years warranty

IP68      SELV LPS   

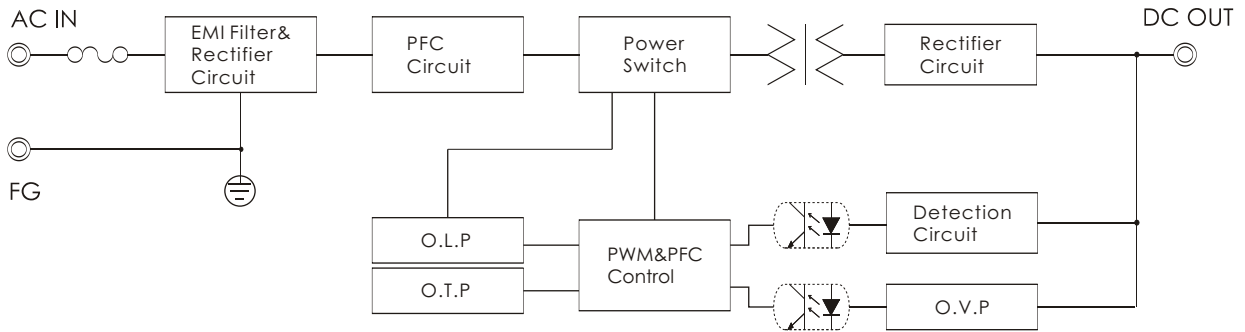
ITEM		UPF300S12WQ	UPF300S24WQ
INPUT	VOLTAGE RANGE	AC90~305V	
	FREQUENCY RANGE	47~63Hz	
	POWER FACTOR	PF>0.95 at over 60% of rated power	
	EFFICIENCY(typ.)	90%	92%
	AC CURRENT(typ.)	3.3A/115VAC (typ) 1.7A/230VAC (typ)	
	INRUSH CURRENT(typ.)	COLD START 50A/230VAC	
	LEAKAGE CURRENT	<2.5mA / 230VAC	
OUTPUT	RATED CURRENT	22A(18.75A@50°C) 115VAC 25A(18.75A@50°C) 230VAC	11A(9.5A@50°C) 115VAC 12.5A(10.5A@50°C) 230VAC
	RATED POWER	300W	
	CURRENT ACCURACY	±5%	
	RIPPLE&NOISE(max.) Note2	150mVp-p	
	SETUP,RISE TIME(max.)	3000ms,100ms/115VAC at full load	3000ms,100ms/230VAC at full load
	HOLD UP TIME(typ.)	50ms/115VAC at full load	50ms/230VAC at full load
PROTEC-TION	OVER LOAD	Over 100% of rating ; recovers automatically after fault condition is removed	
	SHORT CIRCUIT	Hiccup or shut down mode / recover : automatically or need reapplying power	
	OVER VOLTAGE	115~140% of rating	
	OVER TEMPERATURE	115±10°C (Temp. Sensor) ; recovers automatically after fault condition is removed	
ISOLA-TION	WITHSTAND VOLTAGE	I/P-O/P:AC3.75KV, I/P-F.G:AC2KV, O/P-F.G:AC1.5KV	
	ISOLATION RESISTANCE	I/P-O/P, I/P-F.G, O/P-F.G:DC500V 100Mohms(At room temp. & humid.)	
ENVIRON-MENT	WORKING TEMP.&HUMID.	-40~+50°C (Refer to "DERATING CURVE),20~95%RH	
	STORAGE TEMP.&HUMID.	-40~+80°C,10~95%RH	
	VIBRATION	10~500Hz, 5G 12min./1cycle, period for 72min. each along X, Y, Z axes	
OTHERS	DIMENSION/WEIGHT	263*72*40.8mm(L*W*H)/1.4Kg	
NOTE	<p>1. All parameters not specially mentioned are measured at 220vac input, rated load and 25°C of ambient temperature.</p> <p>2. Ripple & noise are measured at 20MHz of bandwidth by using a 12" twisted pair-wire terminated with 0.1 uF & 47uF parallel capacitor.</p>		

S.M.P.S

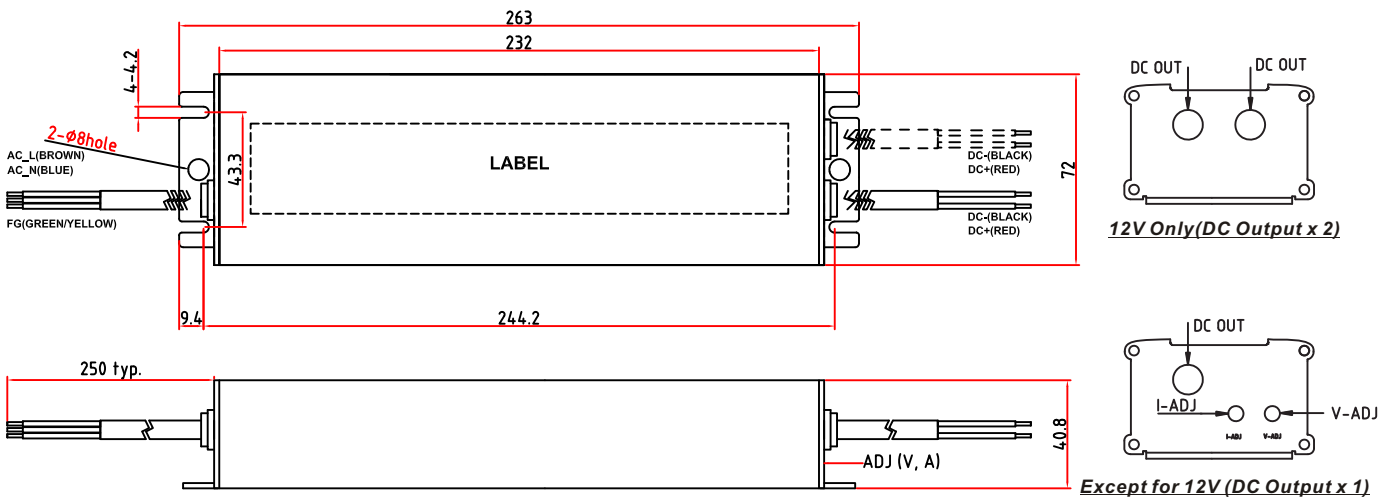
LED Converter

Water Proof Converter

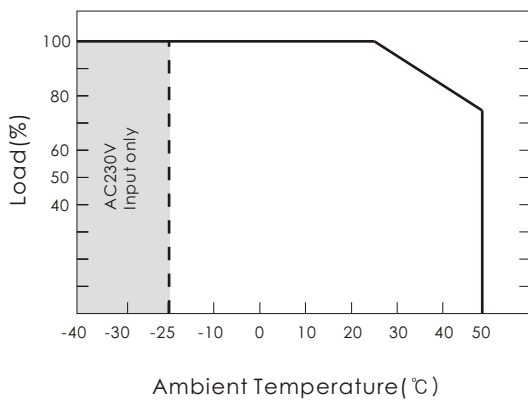
■ BLOCK DIAGRAM



■ DIMENSIONS(unit:mm)



■ DERATING CURVE



■ STATIC CHARACTERISTICS

