

# F200WQ Series

200W single output with constant voltage and PFC function



- **Constant voltage design**
- **Built-in PFC function**
- **Wide input range**
- **Protections:Over load /Over voltage / Short circuit/Over temperature**
- **IP68 design for outdoor installations**
- **100% full load burn-in test**
- **Suitable for LED lighting and moving sign applications**
- **Safety standards : EN61347-1,EN61347-2-13 K61347-1,K61347-2-13**
- **EMC standards : EN55015,EN61000-3-2,3 / K00015,K61547**
- **Metal case**
- **3years warranty**

IP68 SELV LPS

	ITEM	UPF200S12WQ	UPF200S24WQ
INPUT	VOLTAGE RANGE	AC90~305V	
	FREQUENCY RANGE	47~63Hz	
	POWER FACTOR	PF>0.95 at over 60% of rated power	
	EFFICIENCY(typ.)	89%	90%
	AC CURRENT(typ.)	2.4A/115VAC (typ) 1A/230VAC(typ)	
	INRUSH CURRENT(typ.)	COLD START 40A/230VAC	
	LEAKAGE CURRENT	<2.5mA / 230VAC	
OUTPUT	RATED CURRENT	16.6A(12.49A@50°C)	8.4A(6.3A@50°C)
	RATED POWER	200W	
	CURRENT ACCURACY	±5%	
	RIPPLE&NOISE(max.) Note2	150mVp-p	
	SETUP,RISE TIME(max.)	3000ms,100ms/115VAC at full load	3000ms,100ms/230VAC at full load
	HOLD UP TIME(typ.)	50ms/115VAC at full load	50ms/230VAC at full load
PROTEC-TION	OVER LOAD	Over 110% of rating ; recovers automatically after fault condition is removed	
	SHORT CIRCUIT	Hiccup or shut down mode / recover : automatically or need reapplying power	
	OVER VOLTAGE	115~140% of rating	
	OVER TEMPERATURE	110±10°C(Temp. Sensor) ; recovers automatically after fault condition is removed	
ISOLA-TION	WITHSTAND VOLTAGE	I/P-O/P:AC3.75KV, I/P-F.G:AC2KV, O/P-F.G:AC1.5KV	
	ISOLATION RESISTANCE	I/P-O/P, I/P-F.G, O/P-F.G:DC500V 100Mohms(At room temp. & humid.)	
ENVIRON-MENT	WORKING TEMP.&HUMID.	-40~+50°C(Refer to "DERATING CURVE),20~95%RH	
	STORAGE TEMP.&HUMID.	-40~+80°C,10~95%RH	
	VIBRATION	10~500Hz, 5G 12min./1cycle, period for 72min. each along X, Y, Z axes	
OTHERS	DIMENSION/WEIGHT	231*68*38.8mm(L*W*H)/1.05Kg	

**NOTE**

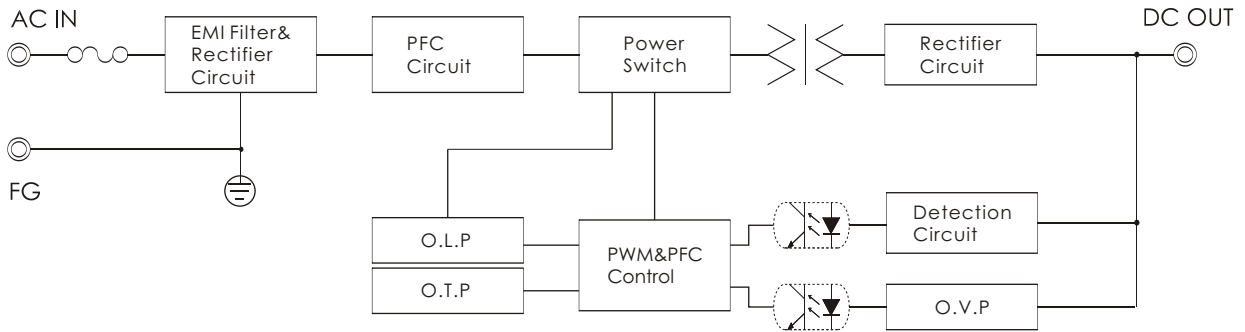
1. All parameters not specially mentioned are measured at 220vac input, rated load and 25°C of ambient temperature.
2. Ripple & noise are measured at 20MHz of bandwidth by using a 12" twisted pair-wire terminated with 0.1 uF & 47uF parallel capacitor.

S.M.P.S

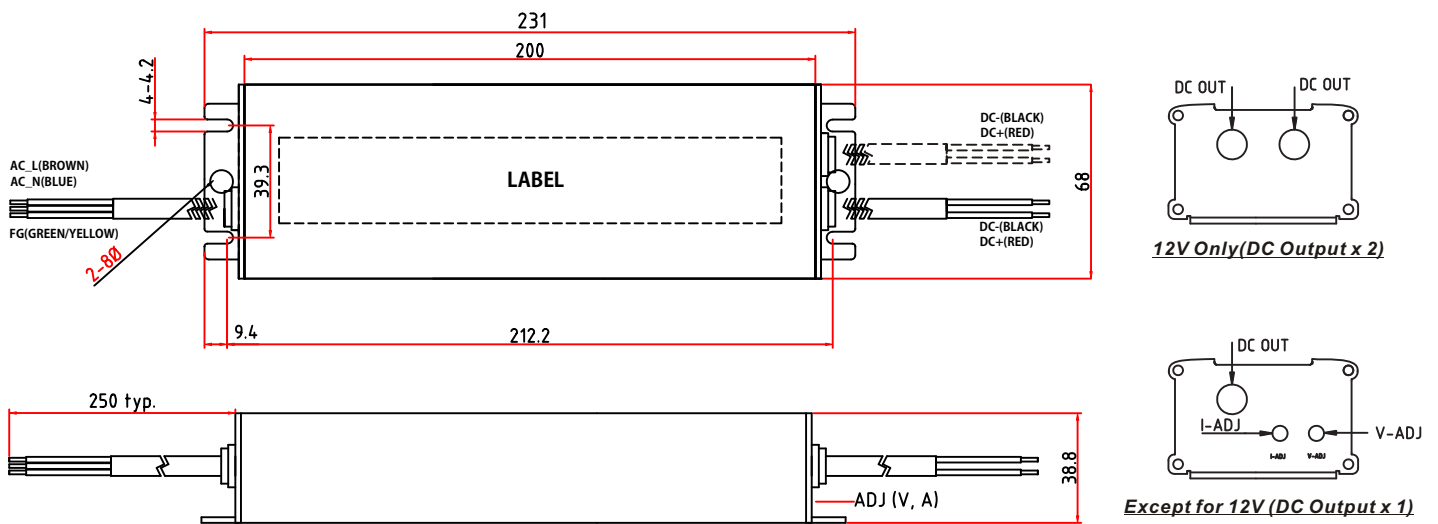
LED Converter

Water Proof Converter

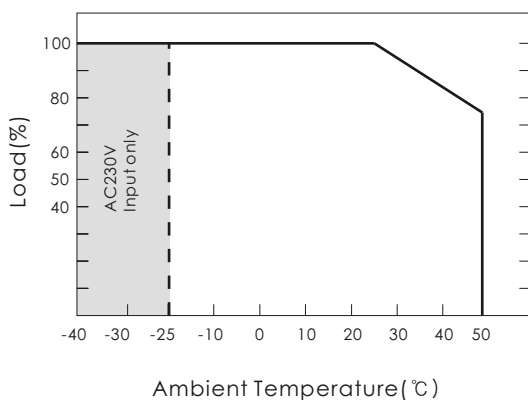
■ BLOCK DIAGRAM



■ DIMENSIONS(unit:mm)



■ DERATING CURVE



■ STATIC CHARACTERISTICS

