

F100WQ Series

100W single output with constant voltage and PFC function



- **Constant voltage design**
- **Built-in PFC function**
- **Wide input range**
- **Protections:Over load /Over voltage / Short circuit/Over temperature**
- **IP68 design for outdoor installations**
- **100% full load burn-in test**
- **Suitable for LED lighting and moving sign applications**
- **Safety standards : EN61347-1,EN61347-2-13 K61347-1,K61347-2-13**
- **EMC standards : EN55015,EN61000-3-2,3 / K00015,K61547**
- **Metal case**
- **3years warranty**

IP68 SELV LPS

| ITEM | | UPF100S12WQ | UPF100S24WQ |
|--------------|--------------------------|---|----------------------------------|
| INPUT | VOLTAGE RANGE | AC90~305V | |
| | FREQUENCY RANGE | 47~63Hz | |
| | POWER FACTOR | PF>0.95 at over 60% of rated power | |
| | EFFICIENCY(typ.) | 86% | 87% |
| | AC CURRENT(typ.) | 1.1A/115VAC (typ) 0.6A/230VAC (typ) | |
| | INRUSH CURRENT(typ.) | COLD START 40A/230VAC | |
| | LEAKAGE CURRENT | <2.5mA / 230VAC | |
| OUTPUT | RATED CURRENT | 8.33A | 4.15A |
| | RATED POWER | 100W | |
| | CURRENT ACCURACY | ±5% | |
| | RIPPLE&NOISE(max.) Note2 | 150mVp-p | |
| | SETUP,RISE TIME(max.) | 3000ms,100ms/115VAC at full load | 3000ms,100ms/230VAC at full load |
| | HOLD UP TIME(typ.) | 50ms/115VAC at full load | 50ms/230VAC at full load |
| PROTEC-TION | OVER LOAD | Over 100% of rating ; recovers automatically after fault condition is removed | |
| | SHORT CIRCUIT | Hiccup mode ; recovers automatically after fault condition is removed | |
| | OVER VOLTAGE | 115~140% of rating | |
| | OVER TEMPERATURE | 12V : 110±10°C 24V : 105±10°C (Temp. Sensor) ; recovers automatically after fault condition is removed | |
| ISOLA-TION | WITHSTAND VOLTAGE | I/P-O/P:AC3.75KV, I/P-F.G:AC2KV, O/P-F.G:AC1.5KV | |
| | ISOLATION RESISTANCE | I/P-O/P, I/P-F.G, O/P-F.G:DC500V 100Mohms(At room temp. & humid.) | |
| ENVIRON-MENT | WORKING TEMP.&HUMID. | -40~+70°C (Refer to "DERATING CURVE),20~95%RH | |
| | STORAGE TEMP.&HUMID. | -40~+80°C,10~95%RH | |
| | VIBRATION | 10~500Hz, 5G 12min./1cycle, period for 72min. each along X, Y, Z axes | |
| OTHERS | DIMENSION/WEIGHT | 198.6*61.5*36.8mm(L*W*H)/0.76Kg | |

NOTE

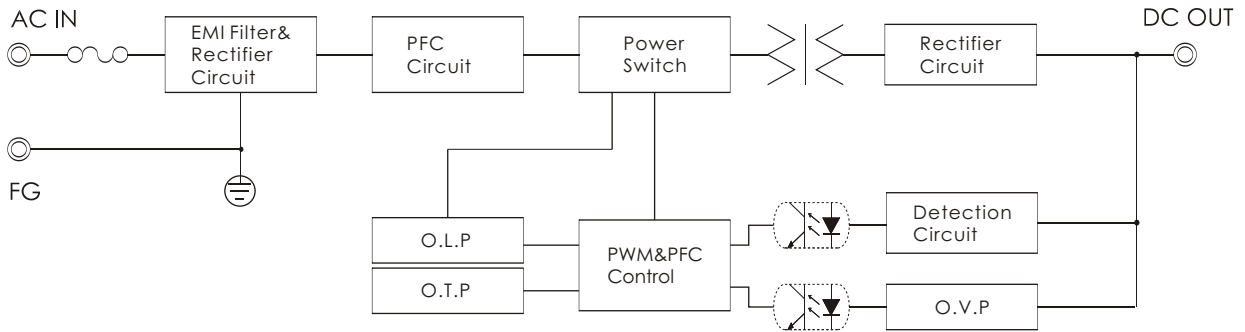
1. All parameters not specially mentioned are measured at 220vac input, rared load and 25°C of ambient temperature.
2. Ripple & noise are measured at 20MHz of bandwidth by using a 12" twisted pare-wire terminated with 0.1 uF & 47uF parallel capacitor.

S.M.P.S

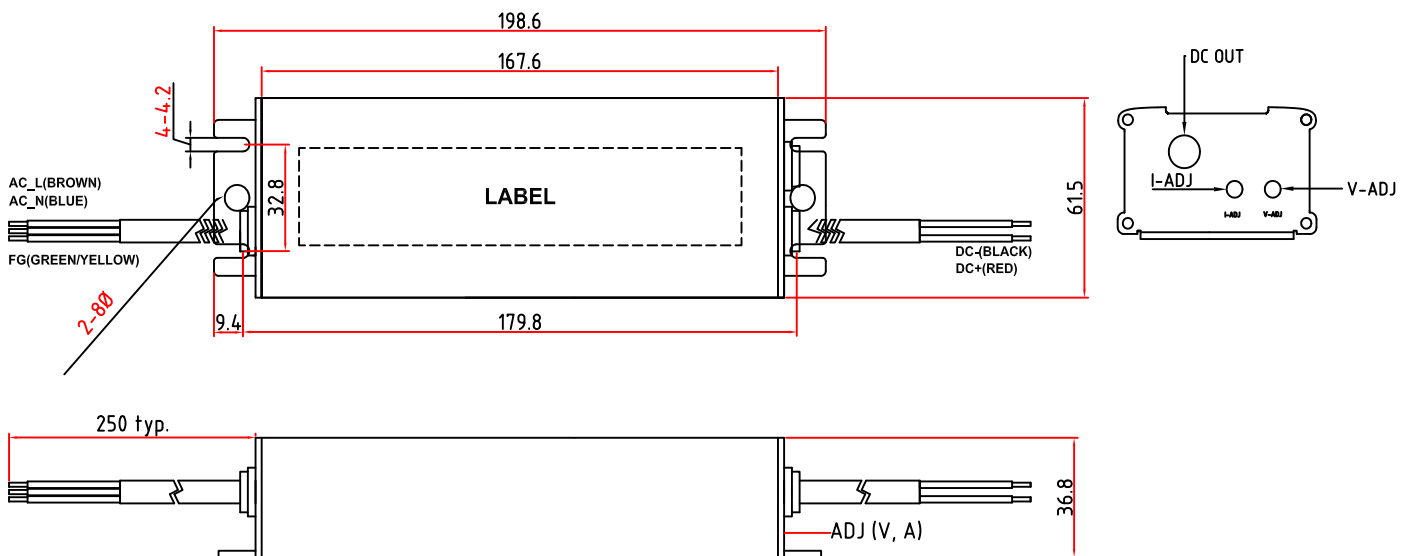
LED Converter

Water Proof Converter

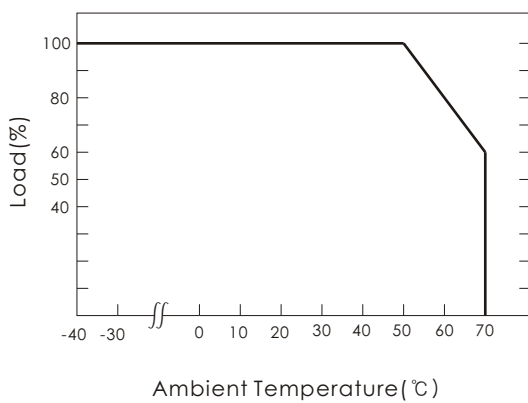
■ BLOCK DIAGRAM



■ DIMENSIONS(unit:mm)



■ DERATING CURVE



■ STATIC CHARACTERISTICS

