

100WH Series

100W single output
with constant voltage circuit



- Constant voltage design(C.V. mode)
- AC Input voltage 90-305V
- Protections:
Overload/Over voltage /Short circuit/
Over temperature
- IP68 design for outdoor installations
- 100% full load burn-in test
- Suitable for LED lighting and moving
sign applications
- Metal case
- Safety standards : UL879
- EMC standards : FCC Part 15 classB
- 5years warranty

IP68 SELV LPS

| ITEM | | UP100S12WH |
|--------------------|---------------------------------------|--|
| INPUT | VOLTAGE RANGE | AC90~305V |
| | FREQUENCY RANGE | 47~63Hz |
| | EFFICIENCY(typ.) | 84% |
| | AC CURRENT(typ.) | 2.2A/115VAC (typ) 0.8A/230VAC(typ) |
| | INRUSH CURRENT(typ.) | COLD START 60A/230VAC |
| | LEAKAGE CURRENT | <1.5mA / 230VAC |
| OUTPUT | DC VOLTAGE | 12V |
| | RATED CURRENT | 8.33A |
| | RATED POWER | 100W |
| | RIPPLE&NOISE(max.) Note2 | 170mVp-p |
| | VOLTAGE ADJ. RANGE | ±5% |
| | VOLTAGE TOLERANCE Note3 | ±3% |
| | LINE REGULATION Note4 | ±1% |
| | LOAD REGULATION Note5 | ±2% |
| | SETUP,RISE TIME(max.) | 3000ms,100ms/115VAC 3000ms,100ms/230VAC at full load |
| HOLD UP TIME(typ.) | 10ms/115VAC 100ms/230VAC at full load | |
| PROTEC-TION | SHORT CIRCUIT | Hiccup mode ; recovers automatically after fault condition is removed |
| | OVERLOAD | Over 110% of rating ; recovers automatically after fault condition is removed |
| | OVER VOLTAGE | 115~140% of rating |
| | OVER TEMPERATURE | 100±10℃ (temp. Sensor) ; recovers automatically after fault condition is removed |
| ISOLA-TION | WITHSTAND VOLTAGE | I/P-O/P:AC3.75KV, I/P-F.G:AC2KV, O/P-F.G:AC1.5KV |
| | ISOLATION RESISTANCE | I/P-O/P, I/P-F.G, O/P-F.G:DC500V 100Mohms(At room temp. & humid.) |
| ENVIRON-MENT | WORKING TEMP.&HUMID. | -40~+70℃ (Refer to "DERATING CURVE"),20~95%RH |
| | STORAGE TEMP.&HUMID. | -40~+75℃,10~95%RH |
| | VIBRATION | 10~500Hz, 5G 12min./1cycle, period for 72min. each along X, Y, Z axes |
| OTHERS | DIMENSION/WEIGHT | 237*56.7*42.3mm(L*W*H) / 0.92Kg |

NOTE

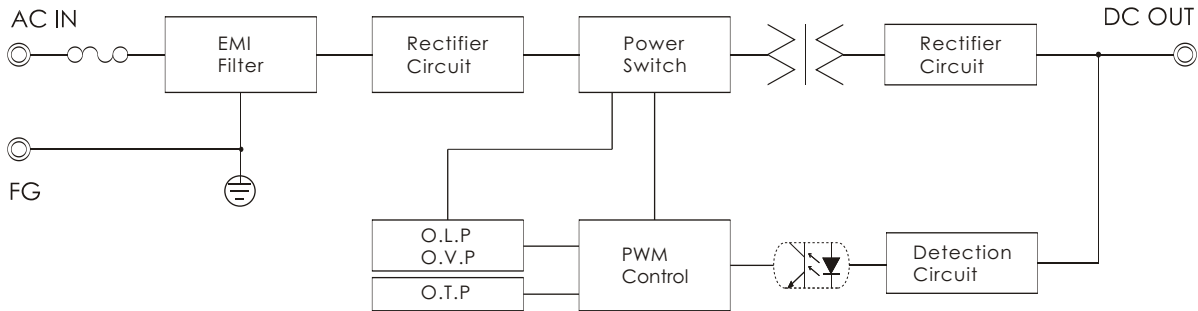
1. All parameters not specially mentioned are measured at 220vac input, rated load and 25℃ of ambient temperature .
2. Ripple & noise are measured at 20MHz of bandwidth by using a 12" twisted pare-wire terminated with 0.1 uF & 47uF parallel capacitor.
3. Tolerance : includes set up tolrance, line regulation and load regulation.
4. Line regulation is measured from low line to high line at rated load.
5. Load regulation is measured from low 0% to 100% rated load.

S.M.P.S

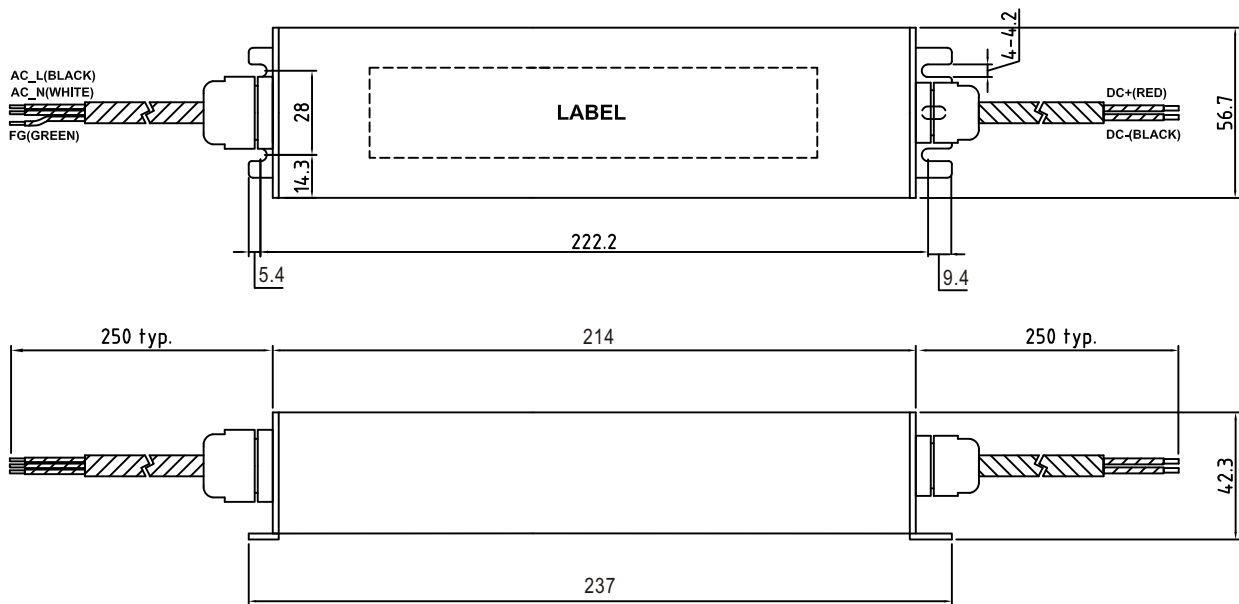
LED Converter

Water Proof Converter

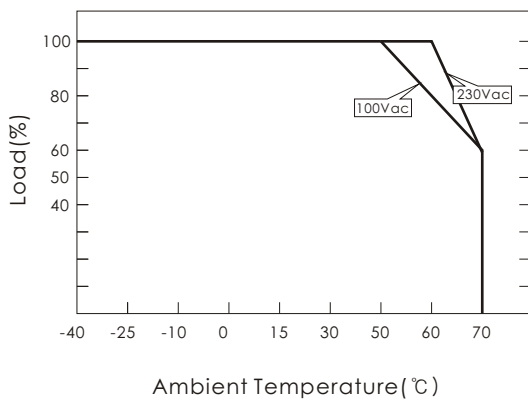
■ BLOCK DIAGRAM



■ DIMENSIONS(unit:mm)



■ DERATING CURVE



■ STATIC CHARACTERISTICS

