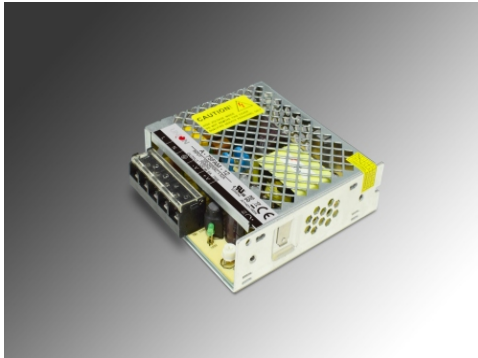


75FAM Series

75W SINGLE OUTPUT



- ▷ Constant voltage design
- ▷ Wide input range AC90~264V input
- ▷ No load power consumption<0.5W
- ▷ Protections: short circuit/over load/over voltage
- ▷ Cooling by free air convection
- ▷ 100% full load burn-in test
- ▷ Suitable for LED lighting and industrial applications
- ▷ Safety standards :
EN60950-1/K61347-1,K61347-2-13
- ▷ EMC standards :
EN55022/K00015,K61547,K61000-4-2,3,4,5,6,11
- ▷ 3 years warranty



ITEM		A-75FAM-12	A-50FAM-24
INPUT	VOLTAGE RANGE	AC90~264V	
	FREQUENCY RANGE	47~63Hz	
	EFFICIENCY(typ.)	87%	89%
	AC CURRENT(typ.)	1.4A/115VAC	0.85A/230VAC
	INRUSH CURRENT(typ.)	50A/230VAC	
	LEAKAGE CURRENT	<3.5mA / 240VAC	
OUTPUT	DC VOLTAGE	12V	24V
	RATED CURRENT	6A	3.2A
	RATED POWER	72W	75W
	RIPPLE&NOISE(max.)	150mVp-p	200mVp-p
	VOLTAGE ADJ. RANGE	±5%	
	VOLTAGE ACCURACY	±1.0%	
	LINE REGULATION	±0.5%	
	LOAD REGULATION	±0.5%	
	SETUP,RISE TIME	500ms,30ms/230VAC 100% load	
	HOLD UP TIME(typ.)	60ms/230VAC 12ms/115VAC 100% Load	
PROTEC-TION	SHORT CIRCUIT	Hiccup mode ; recovers automatically after fault condition is removed	
	OVER LOAD	110~150% of rated output	
	OVER VOLTAGE	115~135% of rated output	
ISOLA-TION	WITHSTAND VOLTAGE	I/P-O/P:AC3KV, I/P-F.G:AC2KV, O/P-F.G:AC0.5KV	
	ISOLATION RESISTANCE	I/P-O/P, I/P-F.G, O/P-F.G:DC500V 100Mohms(At room temp. & humid.)	
ENVIRON-MENT	WORKING TEMP.&HUMID.	-30~+50°C (Refer to "DERATING CURVE"),20~95%RH	
	STORAGE TEMP.&HUMID.	-40~+85°C,10~95%RH	
	VIBRATION	10~500Hz, 2G 10min./1cycle, period for 60min. each along X, Y, Z axes	
OTHERS	LIFETIME	100,000 hours(25°C)	
	DIMENSION/WEIGHT	99*97*30mm(L*W*H)/0.28Kg	

NOTE

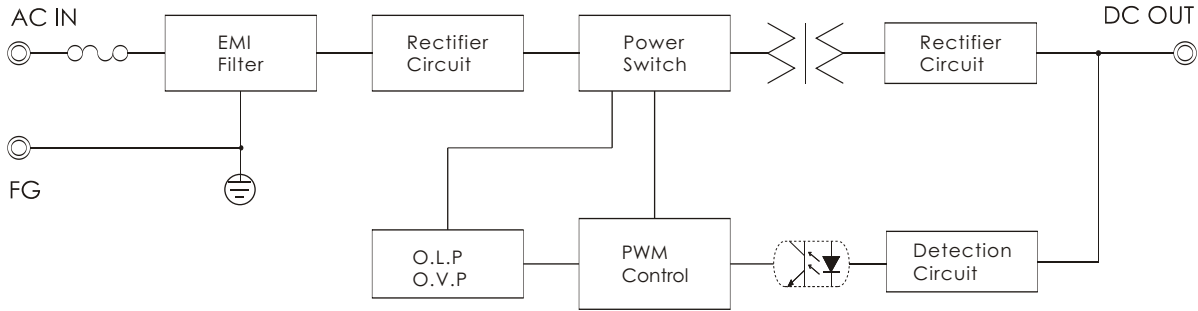
- * In order to extend the lifetime, it is recommended to configure the load no more than 30% of the remaining allowance. For example: the power of the device requires 100W, then use the power of less than 130W.
- * Ripple test method: 20MHz oscilloscope in power output terminal test, oscilloscope probe wire length is not more than 12mm, and input parallel 47uF electrolytic capacitors and 0.1uF high frequency capacitance probe.

S.M.P.S

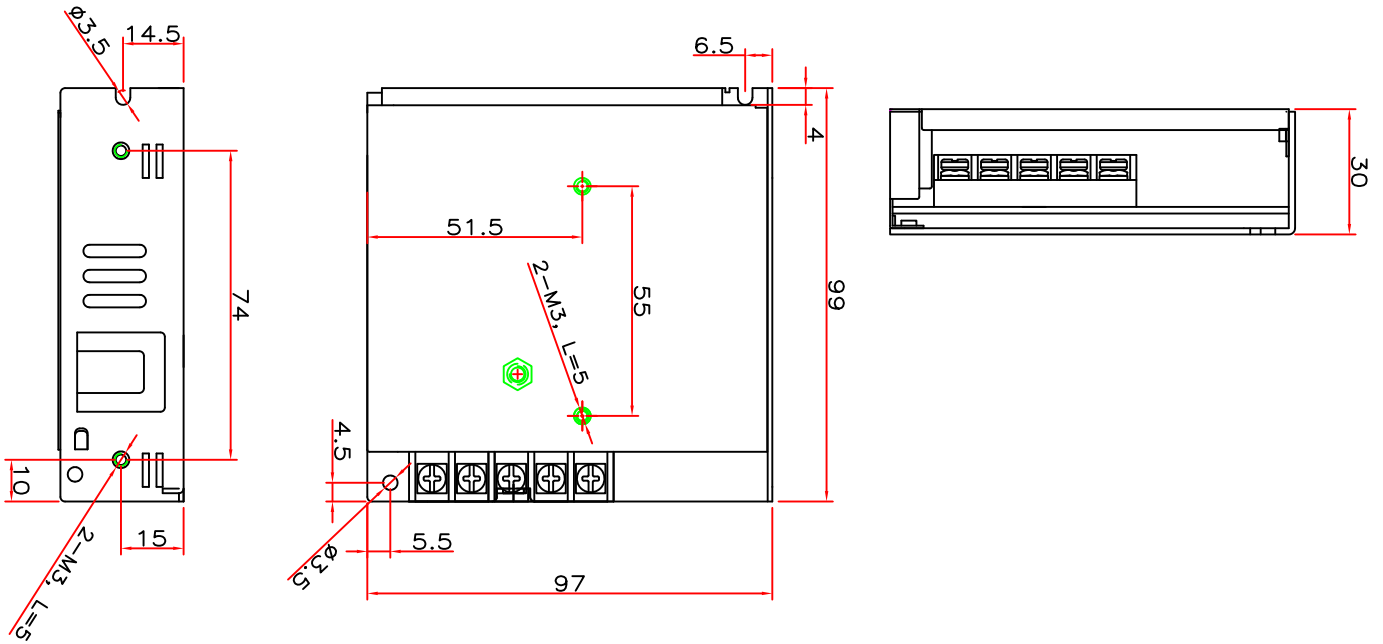
Enclosed Switching Power Supply

Low Cost Type

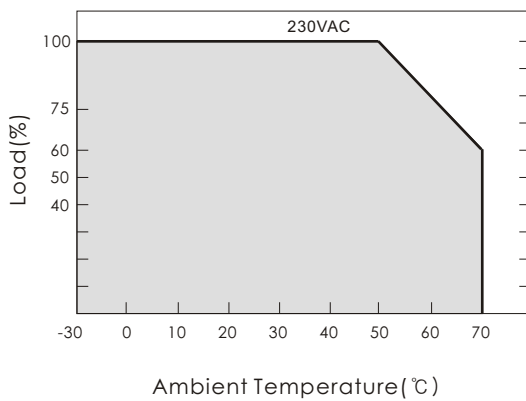
■ BLOCK DIAGRAM



■ DIMENSIONS(unit:mm)



■ DERATING CURVE



■ STATIC CHARACTERISTICS

