

F30CQHP Series

30W single output with c.c circuit and PFC function



- **Constant current design**
- Built-in PFC function
- Protections: Over current / Over voltage / Short circuit
- IP68 design for outdoor installations
- 100% full load burn-in test
- 3 in 1 dimming function(option:D type)
- Suitable for LED lighting and street & tunnel lighting applications
- Safety standards : K61347-2,1,K61347-2-13
- EMC standards : K00015,K61547
- Plastic case
- 5years warranty

UPF30S36CQHP

Blank : IP62 rated. Cable for I/O connection.

Output voltage and current level can be adjusted through internal potentiometer

D(option) : IP62 rated. Constant current level adjustable through output cable with 10V PWM signal or 1-10Vdc or resistance



ITEM		UPF30S36CQHP
INPUT	VOLTAGE RANGE	AC180~264V
	FREQUENCY RANGE	47~63Hz
	POWER FACTOR	PF>0.9 at over 60% of rated power
	EFFICIENCY(typ.)	85%
	AC CURRENT(typ.)	0.13A/230VAC (typ)
	INRUSH CURRENT(typ.)	COLD START 5A/230VAC
	LEAKAGE CURRENT	<2.5mA / 230VAC
OUTPUT	RATED CURRENT	0.7A
	CONSTANT CURRENT REGION	28-36V
	RATED POWER	30W
	CURRENT ACCURACY	±5%
	RIPPLE&NOISE(max.) Note2	3Vp-p
	SETUP,RISE TIME(max.)	1000ms/230VAC at full load
PROTEC-TION	OVER CURRENT Note3	95~108%
	SHORT CIRCUIT	Hiccup mode ; recovers automatically after fault condition is removed
ISOLA-TION	WITHSTAND VOLTAGE	I/P-O/P:AC3.75KV
	ISOLATION RESISTANCE	I/P-O/P:DC500V 100Mohms(At room temp. & humid.)
ENVIRON-MENT	WORKING TEMP.&HUMID.	-40~+70℃ (Refer to "DERATING CURVE),20~95%RH
	STORAGE TEMP.&HUMID.	-40~+80℃,10~95%RH
	VIBRATION	10~500Hz, 5G 12min./1cycle, period for 72min. each along X, Y, Z axes
OTHERS	DIMENSION/WEIGHT	146.5*42*38mm(L*W*H)/0.3Kg

NOTE

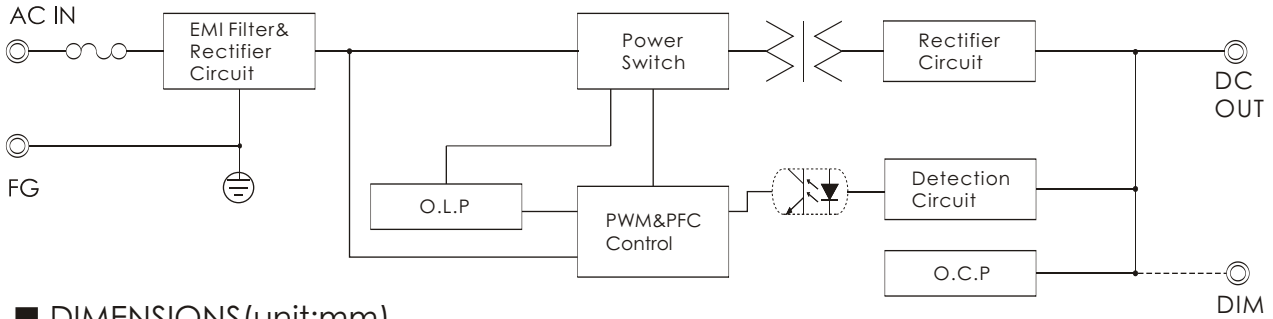
1. All parameters not specially mentioned are measured at 220vac input, rated load and 25℃ of ambient temperature.
2. Ripple & noise are measured at 20MHz of bandwidth by using a 12" twisted pare-wire terminated with 0.1 uF & 47uF parallel capacitor.
3. Refer to "DRIVING METHODS of LED MODULE"

S.M.P.S

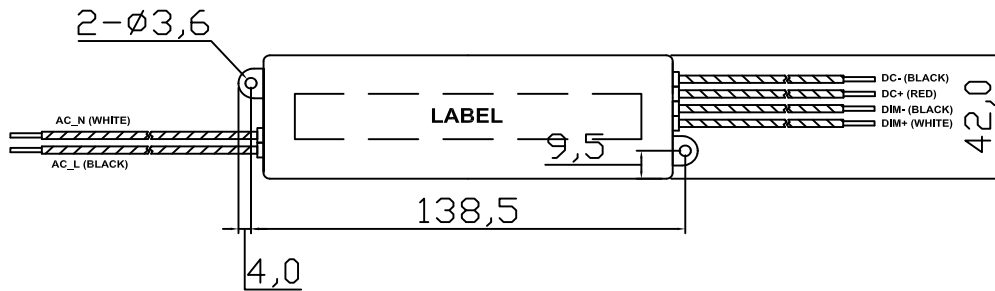
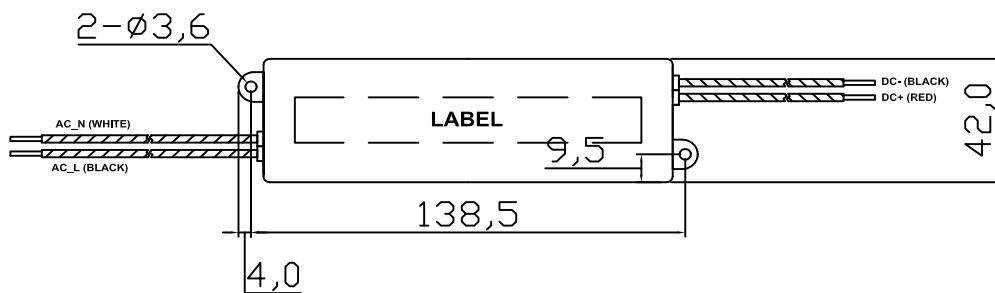
LED Converter

Water Proof Converter

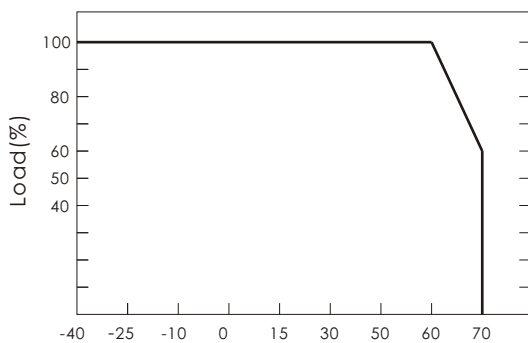
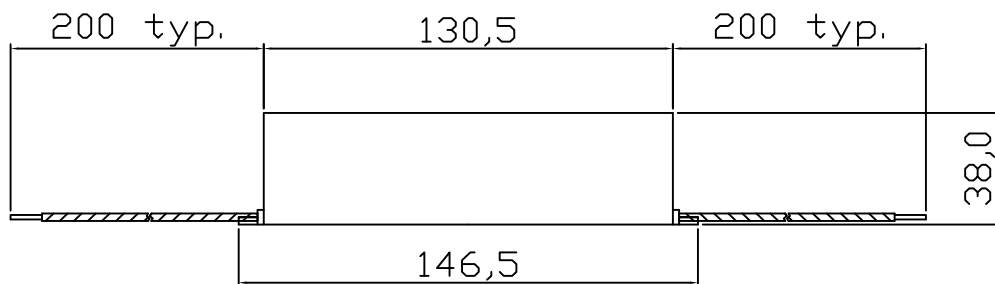
■ BLOCK DIAGRAM



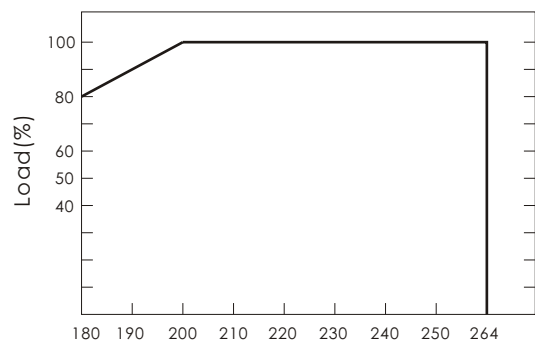
■ DIMENSIONS(unit:mm)



D Type



Ambient Temperature (°C)



Input Voltage (Vac), 60Hz

■ DIMMING OPERATION(option:D type)

● Built-in 3 in 1 dimming function.

Output constant current level can be adjusted through output cable by connecting 10V PWM signal or 1-10Vdc or resistance between DIM+ and DIM-.

● Please do not connect 'DIM-' to 'V-'

● 10V PWM signal for output current adjustment(typ.):
frequency range:100Hz~3KHz

Duty Value	10%	20%	30%	40%	50%	60%	70%	80%	90%	100%	Open
Percent of Rated Current	10%	20%	30%	40%	50%	60%	70%	80%	90%	100%	95~108%

● 1-10V dimming function for output current adjustment(typ.)

Dimming Value	1V	2V	3V	4V	5V	6V	7V	8V	9V	10V	Open
Percent of Rated Current	10%	20%	30%	40%	50%	60%	70%	80%	90%	100%	95~108%

● Reference resistance value for output current adjustment(typ.)

Resistance Value	Single driver	10KΩ	20KΩ	30KΩ	40KΩ	50KΩ	60KΩ	70KΩ	80KΩ	90KΩ	100KΩ	Open
	Multiple driver (N=driver quantity for synchronized dimming operation)	10KΩ /N	20KΩ /N	30KΩ /N	40KΩ /N	50KΩ /N	60KΩ /N	70KΩ /N	80KΩ /N	90KΩ /N	100KΩ /N	---
Percent of Rated Current		10%	20%	30%	40%	50%	60%	70%	80%	90%	100%	95~108%