

# 100W1 Series

100W single output  
with constant voltage circuit



- **Constant voltage design(C.V. mode)**
- **AC Input voltage 90-132V**
- **Protections:**  
Overload/Over voltage /Short circuit/  
Over temperature
- **IP68 design for outdoor installations**
- **100% full load burn-in test**
- **Suitable for LED lighting and moving sign applications**
- **Metal case**
- **Safety standards : UL879**
- **EMC standards : FCC Part 15 classB**
- **3years warranty**

IP68

| ITEM               |                          | UP100S12W1  |
|--------------------|--------------------------|---|
| INPUT              | VOLTAGE RANGE            | AC90~132V   |
|                    | FREQUENCY RANGE          | 47~63Hz   |
|                    | EFFICIENCY(typ.)         | 82%   |
|                    | AC CURRENT(typ.)         | 1.6A/100VAC   |
|                    | INRUSH CURRENT(typ.)     | COLD START 40A/100VAC   |
|                    | LEAKAGE CURRENT          | <1.4mA / 100VAC   |
| OUTPUT             | DC VOLTAGE               | 12V   |
|                    | RATED CURRENT            | 8.4A(6.24A@50°C)  |
|                    | RATED POWER              | 100W  |
|                    | RIPPLE&NOISE(max.) Note2 | 170mVp-p  |
|                    | VOLTAGE ADJ. RANGE       | ±5%   |
|                    | VOLTAGE TOLERANCE Note3  | ±3%   |
|                    | LINE REGULATION Note4    | ±1%   |
|                    | LOAD REGULATION Note5    | ±2%   |
|                    | SETUP,RISE TIME(max.)    | 3000ms,100ms/100VAC at full load  |
| HOLD UP TIME(typ.) | 10ms/100VAC at full load |   |
| PROTECTION         | SHORT CIRCUIT            | Hiccup mode ; recovers automatically after fault condition is removed             |
|                    | OVERLOAD                 | Over 110% of rating ; recovers automatically after fault condition is removed     |
|                    | OVER VOLTAGE             | 115~140% of rating  |
|                    | OVER TEMPERATURE         | 100±10°C (temp. Sensor) ; recovers automatically after fault condition is removed |
| ISOLATION          | WITHSTAND VOLTAGE        | I/P-O/P:AC3KV, I/P-F.G:AC1.5KV, O/P-F.G:AC0.5KV                                   |
|                    | ISOLATION RESISTANCE     | I/P-O/P, I/P-F.G, O/P-F.G:DC500V 100Mohms(At room temp. & humid.)                 |
| ENVIRONMENT        | WORKING TEMP.&HUMID.     | -40~+50°C (Refer to "DERATING CURVE"),20~95%RH                                    |
|                    | STORAGE TEMP.&HUMID.     | -40~+75°C,10~95%RH  |
|                    | VIBRATION                | 10~500Hz, 5G 12min./1cycle, period for 72min. each along X, Y, Z axes             |
| OTHERS             | DIMENSION/WEIGHT         | 206*56.7*42.3mm(L*W*H)/0.7Kg  |

**NOTE**

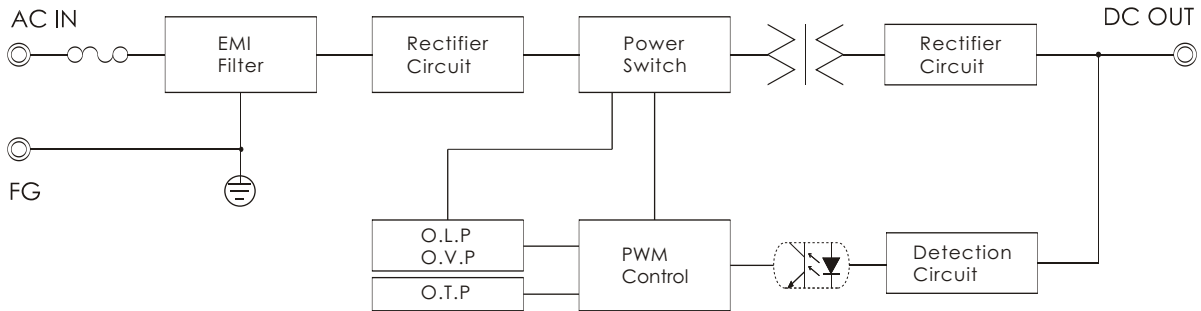
1. All parameters not specially mentioned are measured at 220vac input, rated load and 25°C of ambient temperature.
2. Ripple & noise are measured at 20MHz of bandwidth by using a 12" twisted pair-wire terminated with 0.1 uF & 47uF parallel capacitor.
3. Tolerance : includes set up tolerance, line regulation and load regulation.
4. Line regulation is measured from low line to high line at rated load.
5. Load regulation is measured from low 0% to 100% rated load.

S.M.P.S

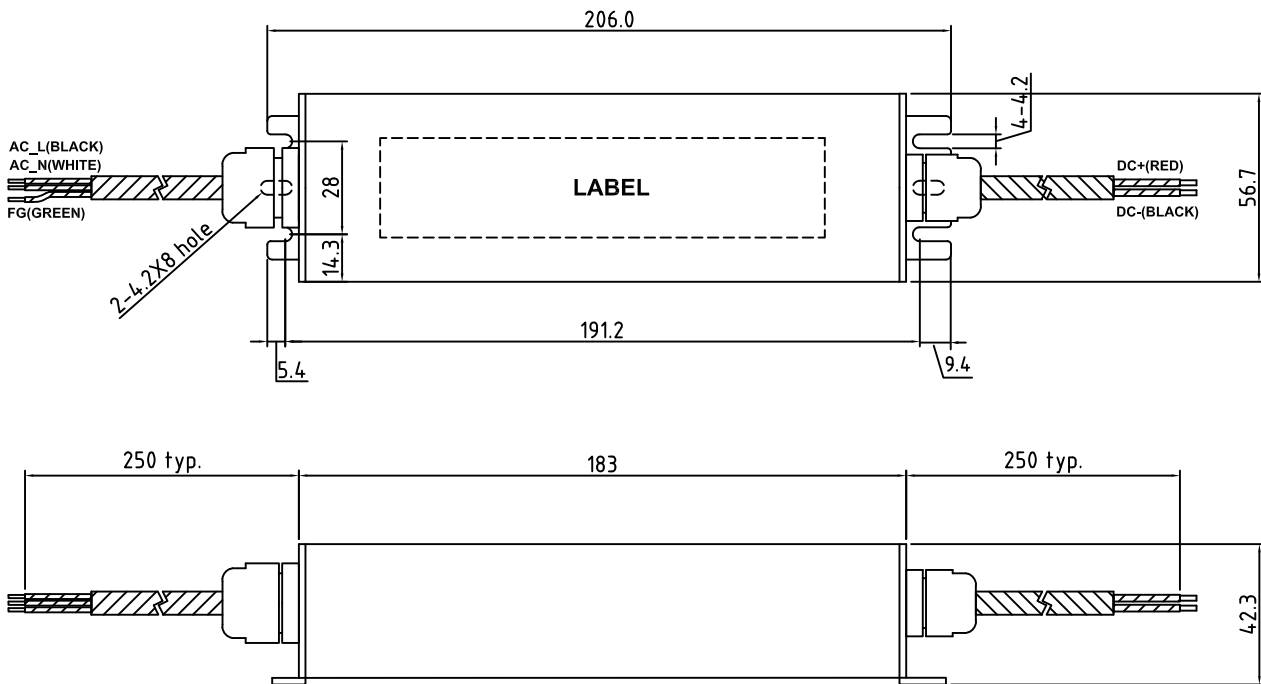
LED Converter

Water Proof Converter

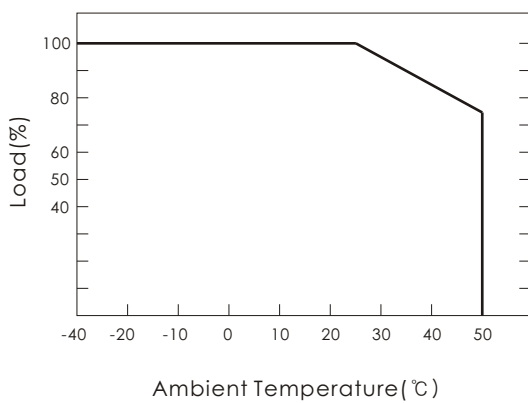
■ BLOCK DIAGRAM



■ DIMENSIONS(unit:mm)



■ DERATING CURVE



■ STATIC CHARACTERISTICS

