

F60MC Series

60W single output with c.v circuit and PFC function



- Constant voltage design
- Built-in PFC function
- Wide input range
- Protections: Over load / Over voltage / Short circuit / Over temperature
- 100% full load burn-in test
- Suitable for LED lighting and moving sign applications
- Safety standards : UL879
- EMC standards : FCC Part 15 classB
- Metal case
- 5years warranty

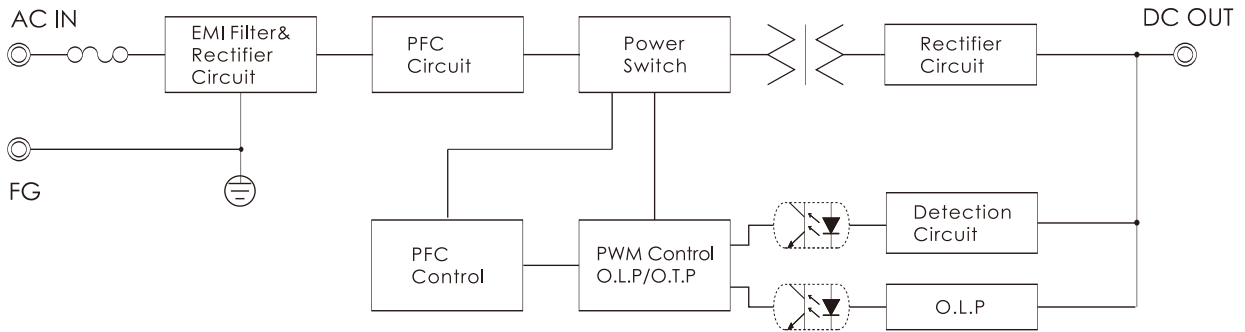
IP66 SELV    

ITEM		UPF60S12MC	UPF60S24MC
INPUT	VOLTAGE RANGE	AC120~277V±10%	
	FREQUENCY RANGE	50/60Hz	
	POWER FACTOR	>0.9 under 120/277Vac input with 80~100% load condition	
	TOTAL HARMONIC DISTORTION	≤20% under 120/277Vac input with 80~100% load condition	
	EFFICIENCY(typ.)	89%(AC120V), 91%(AC240V), 91%(AC277V)	
	AC CURRENT(typ.)	0.6A/AC120V, 0.4A/AC240V, 0.3A/AC277V	
	INRUSH CURRENT(typ.)	COLD START 40A/240VAC	
OUTPUT	LEAKAGE CURRENT	<1mA / 240VAC	
	RATED CURRENT	5.0A	2.5A
	DC VOLTAGE	12V	24V
	RATED POWER	60W	60W
	RIPPLE&NOISE(max.) Note2	600mVp-p	1000mVp-p
	SETUP,RISE TIME(max.)	3000ms,100ms/120VAC at full load	3000ms,100ms/240VAC at full load
PROTEC-TION	HOLD UP TIME(typ.)	2ms/120VAC at full load	2ms/240VAC at full load
	OVER CURRENT Note3	Over 105% of rating ; recovers automatically after fault condition is removed	
	SHORT CIRCUIT	Hiccup or shut down mode / recover : automatically or need reapplying power	
ISOLA-TION	OVER TEMPERATURE	recovers automatically after fault condition is removed	
	WITHSTAND VOLTAGE	I/P-O/P:AC1.6KV	
ENVIRON-MENT	ISOLATION RESISTANCE	I/P-O/P:DC500V 100Mohms(At room temp. & humid.)	
	WORKING TEMP.&HUMID.	-30~+50℃ (Refer to "DERATING CURVE), 20~95%RH	
	STORAGE TEMP.&HUMID.	-40~+80℃, 10~95%RH	
OTHERS	VIBRATION	10~500Hz, 5G 12min./1cycle, period for 72min. each along X, Y, Z axes	
	DIMENSION/WEIGHT	174.8*27.5*20.2mm(L*W*H)/0.17Kg	
NOTE	<p>1. All parameters not specially mentioned are measured at 240vac input, rated load and 25℃ of ambient temperature.</p> <p>2. Ripple & noise are measured at 20MHz of bandwidth by using a 12" twisted pair-wire terminated with 0.1 uF & 47uF parallel capacitor.</p> <p>3. Refer to "DRIVING METHODS of ELECTRONIC LOAD"</p> <p>4. Life Rating : 50,000 hours at Tc ≤ 70℃ maximum case hot spot temperature.</p> <p>5. Maximum Case Temperature : 95℃</p>		

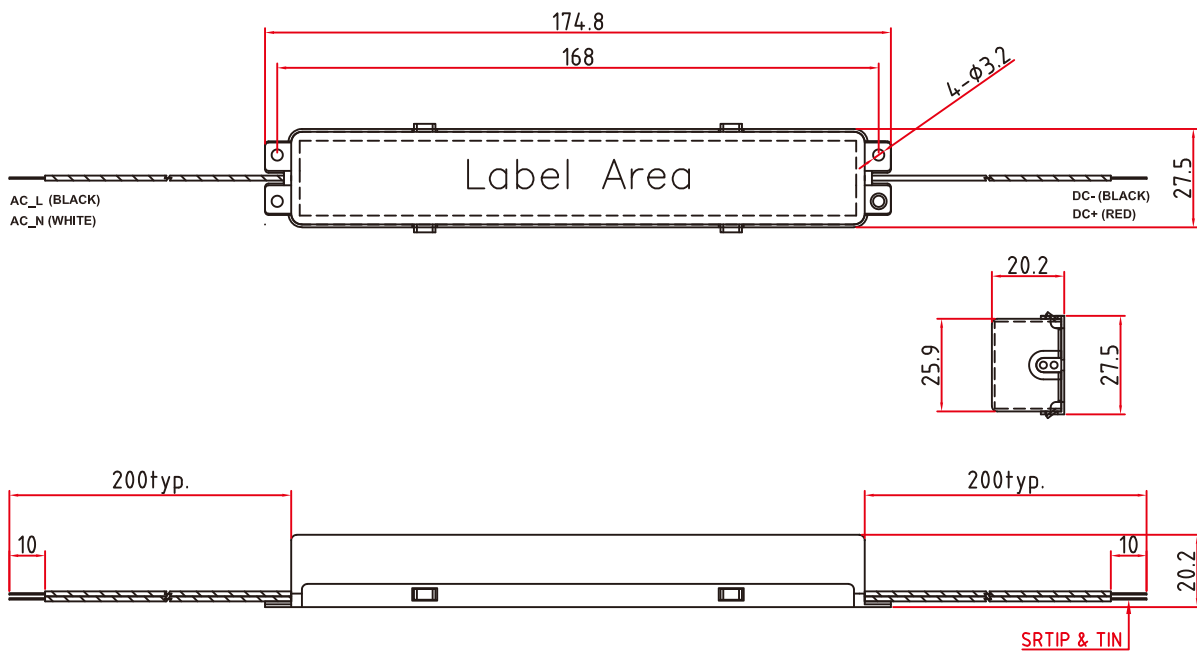
S.M.P.S

LED Converter

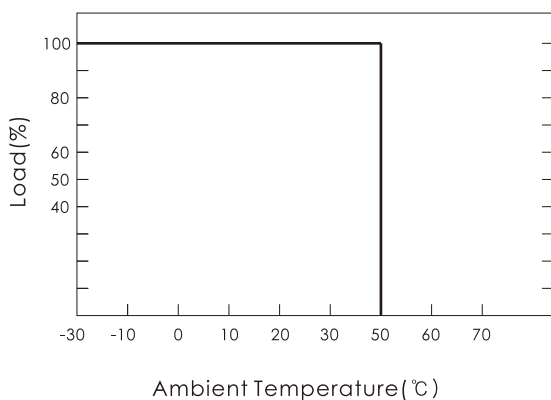
■ BLOCK DIAGRAM



■ DIMENSIONS(unit:mm)



■ DERATING CURVE



■ STATIC CHARACTERISTICS

