

150WQ Series

150W single output
with constant voltage circuit



- **Constant voltage design**
- **Wide input voltage range**
- **Protections:**
Over load/Over voltage /Short circuit /Over temperature
- **IP68 design for outdoor installations**
- **100% full load burn-in test**
- **Suitable for LED lighting and moving sign applications**
- **Metal case**
- **Safety standards : EN61347-1,EN61347-2-13**
- **EMC standards : EN55022,EN61000-3-2,3, EN61204-3**
- **3years warranty**

IP68

ITEM		UP150S12WQ	UP150S24WQ
INPUT	VOLTAGE RANGE	AC90~277V	
	FREQUENCY RANGE	47~63Hz	
	EFFICIENCY(typ.)	84%	87%
	AC CURRENT(typ.)	2.7A/115VAC (typ) 1.8A/230VAC(typ)	
	INRUSH CURRENT(typ.)	COLD START 30A/230VAC	
OUTPUT	DC VOLTAGE	12V	24V
	RATED CURRENT	12.5A	6.25A
	RATED POWER	150W	
	RIPPLE&NOISE(max.) Note2	170mVp-p	
	VOLTAGE TOLERANCE Note3	±3%	
	LINE REGULATION Note4	±1%	
	LOAD REGULATION Note5	±2%	
	SETUP,RISE TIME(max.)	3000ms,100ms/115VAC	3000ms,100ms/230VAC at full load
HOLD UP TIME(typ.)	10ms/115VAC	60ms/230VAC at full load	
PROTEC-TION	SHORT CIRCUIT	Hiccup mode ; recovers automatically after fault condition is removed	
	OVERLOAD	Over 110% of rating ; recovers automatically after fault condition is removed	
	OVER VOLTAGE	115~140% of rating	
	OVER TEMPERATURE	105±10℃ (temp. Sensor) ; recovers automatically after fault condition is removed	
ISOLA-TION	WITHSTAND VOLTAGE	I/P-O/P:AC3KV, I/P-F.G:AC1.5KV, O/P-F.G:AC0.5KV	
	ISOLATION RESISTANCE	I/P-O/P, I/P-F.G, O/P-F.G:DC500V 100Mohms(At room temp. & humid.)	
ENVIRON-MENT	WORKING TEMP.&HUMID.	-40~+70℃ (Refer to "DERATING CURVE"),20~95%RH	
	STORAGE TEMP.&HUMID.	-40~+75℃,10~95%RH	
	VIBRATION	10~500Hz, 5G 12min./1cycle, period for 72min. each along X, Y, Z axes	
OTHERS	DIMENSION/WEIGHT	261*56.7*41.3mm(L*W*H) / 1Kg	

NOTE

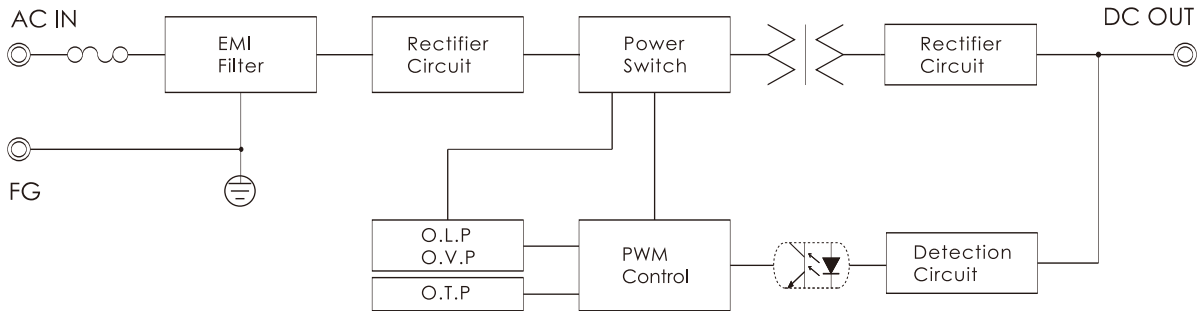
1. All parameters not specially mentioned are measured at 230vac input, rated load and 25℃ of ambient temperature .
2. Ripple & noise are measured at 20MHz of bandwidth by using a 12" twisted pare-wire terminated with 0.1 uF & 47uF parallel capacitor.
3. Tolerance : includes set up tolrance, line regulation and load regulation.
4. Line regulation is measured from low line to high line at rated load.
5. Load regulation is measured from low 0% to 100% rated load.

S.M.P.S

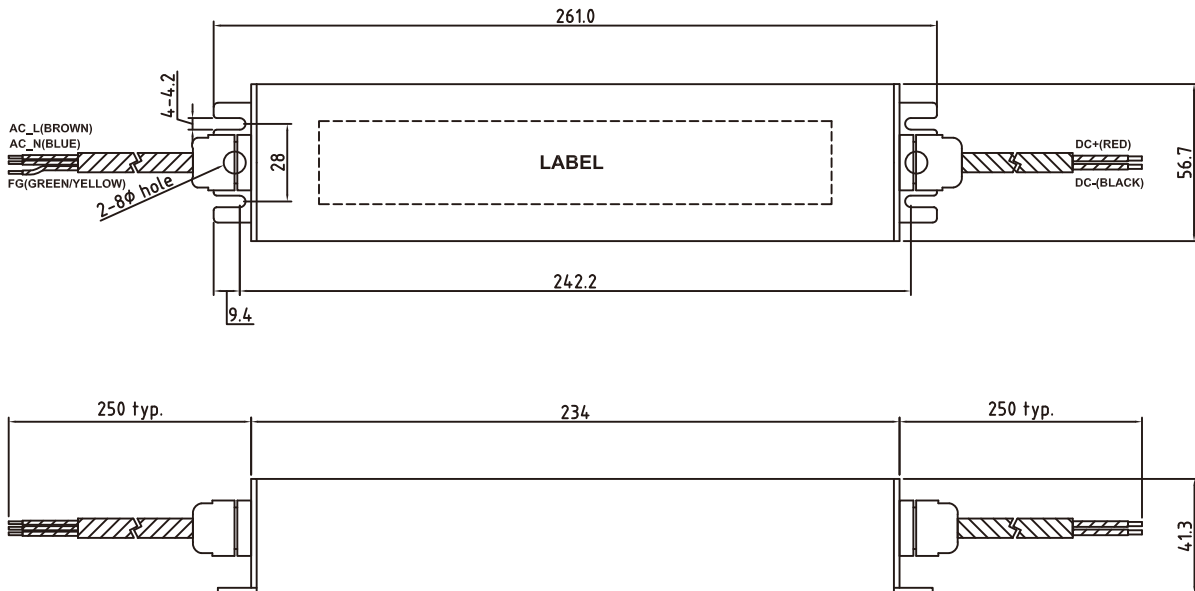
LED Converter

Water Proof Converter

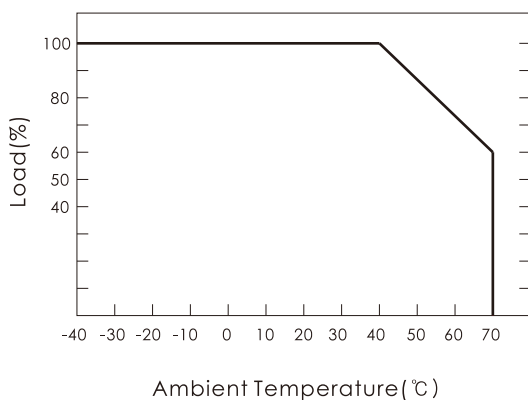
■ BLOCK DIAGRAM



■ DIMENSIONS(unit:mm)



■ DERATING CURVE



■ STATIC CHARACTERISTICS

