

TBL Series



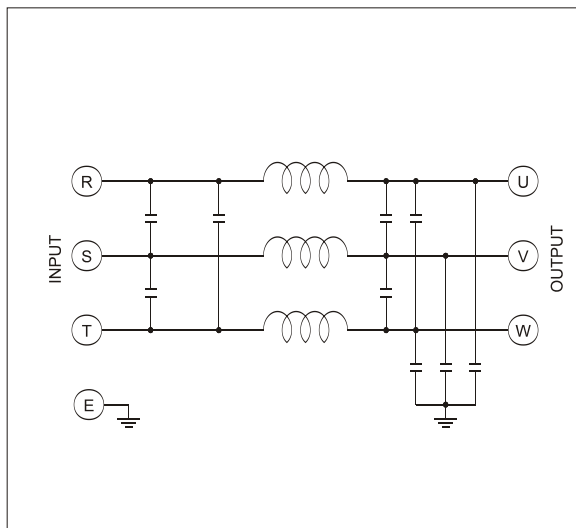
BOLT/Square 3-Phase

- **10Amp 250V**
- **Excellent Filtering for Normal Mode and common Mode Noise**
- **Low Leakage**
- **Bolt Terminals**
- **Suitable for Industrial & Medical Equipments, OA & FA Equipments, Measuring Equipments, etc.**
- **TUV Approved**

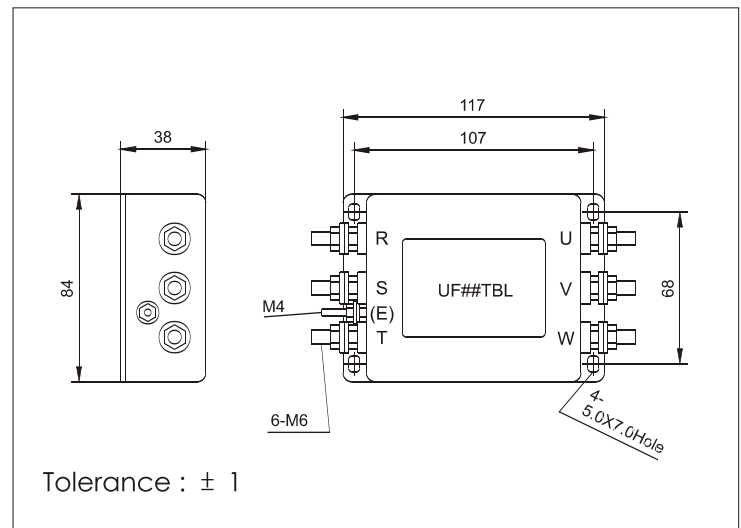
SPECIFICATIONS

Item	UF10TBL	Unit
RATED CURRENT	10	A
RATED VOLTAGE	250 Max	V
TEST VOLTAGE	1,500Vrms between line and earth for 1 minute	/
ISOLATION RESISTANCE	500Vdc 300Mohm between line and earth	/
LEAKAGE CURRENT	1 Max	mA
TEMPERATURE RISE	40 Max	°C
OPERATING TEMPERATURE	-25 ~ +85	°C

BLOCK DIAGRAM



DIMENSIONS(UNITS : MM)



TBL Series



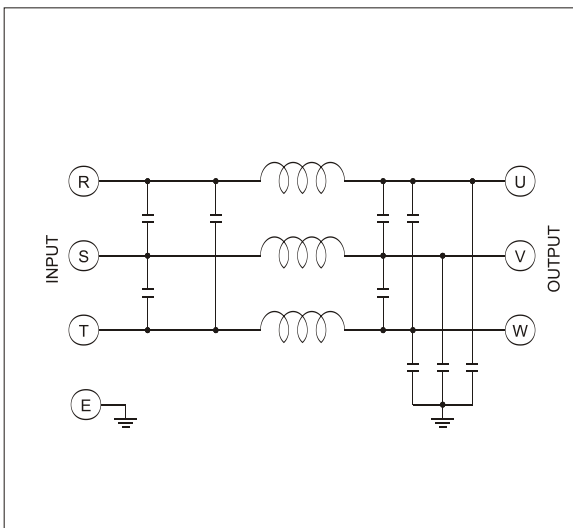
BOLT/Low-volt 3-Phase

- **20Amp 250V**
- **Excellent Filtering for Normal Mode and common Mode Noise**
- **Low Leakage**
- **Bolt Terminals**
- **Suitable for Industrial & Medical Equipments, OA & FA Equipments, Measuring Equipments, etc.**
- **TUV Approved**

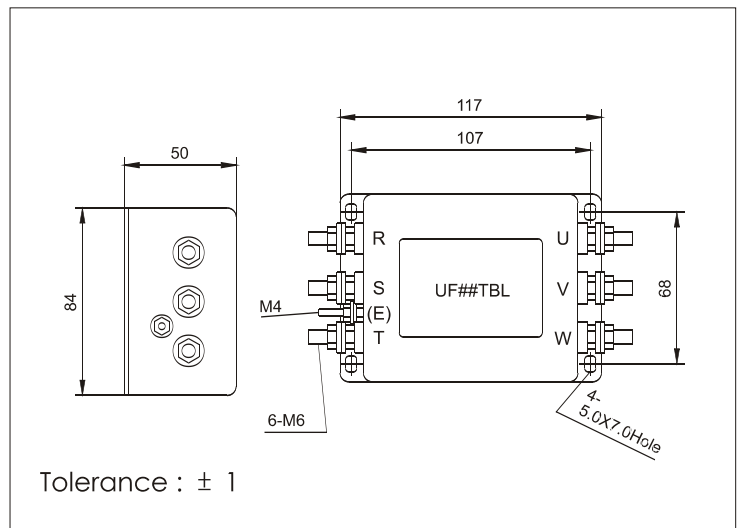
SPECIFICATIONS

Item	UF20TBL	Unit
RATED CURRENT	20	A
RATED VOLTAGE	250 Max	V
TEST VOLTAGE	1,500Vrms between line and earth for 1 minute	/
ISOLATION RESISTANCE	500Vdc 300Mohm between line and earth	/
LEAKAGE CURRENT	1 Max	mA
TEMPERATURE RISE	40 Max	°C
OPERATING TEMPERATURE	-25 ~ +85	°C

BLOCK DIAGRAM



DIMENSIONS(UNITS : MM)



TBL Series



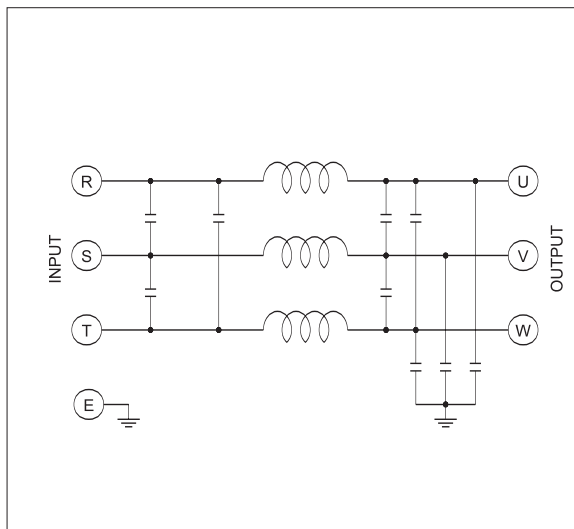
BOLT/Low-volt 3-Phase

- 30 - 60 Amp 250V
- Excellent Filtering for Normal Mode and common Mode Noise
- Low Leakage
- Bolt Terminals
- Suitable for Industrial & Medical Equipments, OA & FA Equipments, Measuring Equipments, etc.
- TUV Approved

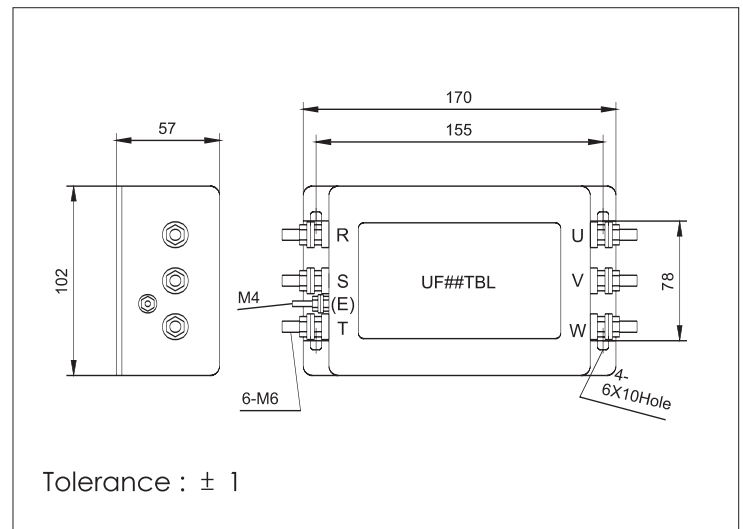
SPECIFICATIONS

Item	UF30TBL	UF40TBL	UF50TBL	UF60TBL	Unit
RATED CURRENT	30	40	50	60	A
RATED VOLTAGE	250 Max				V
TEST VOLTAGE	1,500Vrms between line and earth for 1 minute				/
ISOLATION RESISTANCE	500Vdc 300Mohm between line and earth				/
LEAKAGE CURRENT	1 Max				mA
TEMPERATURE RISE	40 Max				°C
OPERATING TEMPERATURE	-25 ~ +85				°C

BLOCK DIAGRAM



DIMENSIONS(UNITS : MM)



TBL Series



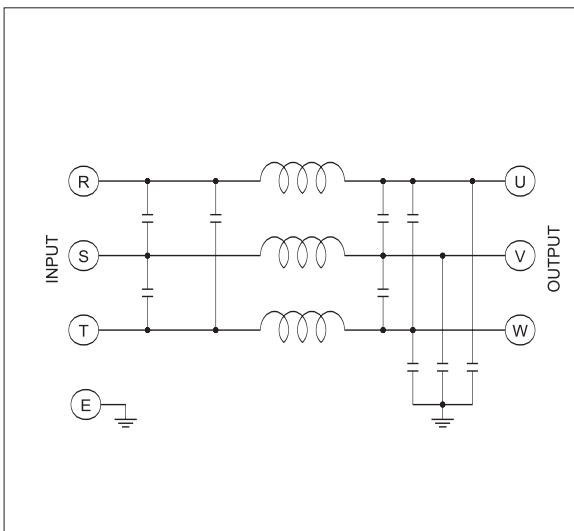
BOLT/Low-volt 3-Phases

- **80 - 120Amp 250V**
- **Excellent Filtering for Normal Mode and common Mode Noise**
- **Low Leakage**
- **Bolt Terminals**
- **Suitable for Industrial & Medical Equipments, OA & FA Equipments, Measuring Equipments, etc.**
- **TUV Approved**

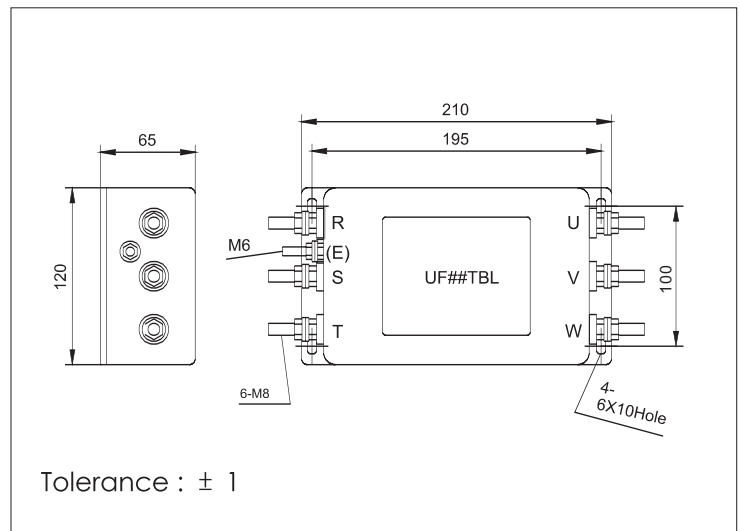
SPECIFICATIONS

Item	UF80TBL	UF100TBL	UF120TBL	Unit
RATED CURRENT	80	100	120	A
RATED VOLTAGE	250 Max			V
TEST VOLTAGE	1,500Vrms between line and earth for 1 minute			/
ISOLATION RESISTANCE	500Vdc 300Mohm between line and earth			/
LEAKAGE CURRENT	1 Max			mA
TEMPERATURE RISE	40 Max			°C
OPERATING TEMPERATURE	-25 ~ +85			°C

BLOCK DIAGRAM



DIMENSIONS(UNITS : MM)



TBL Series



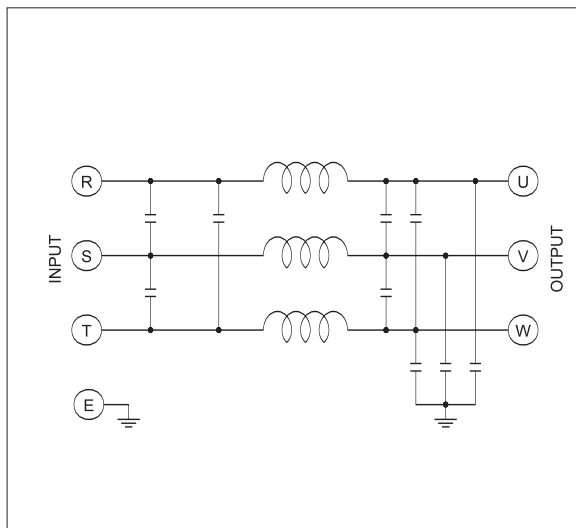
BOLT/Low-volt 3-Phase

- 150 - 200Amp 250V
- Excellent Filtering for Normal Mode and Common Mode Noise
- Low Leakage
- Bolt Terminals
- Suitable for Industrial & Medical Equipments, OA & FA Equipments, Measuring Equipments, etc.

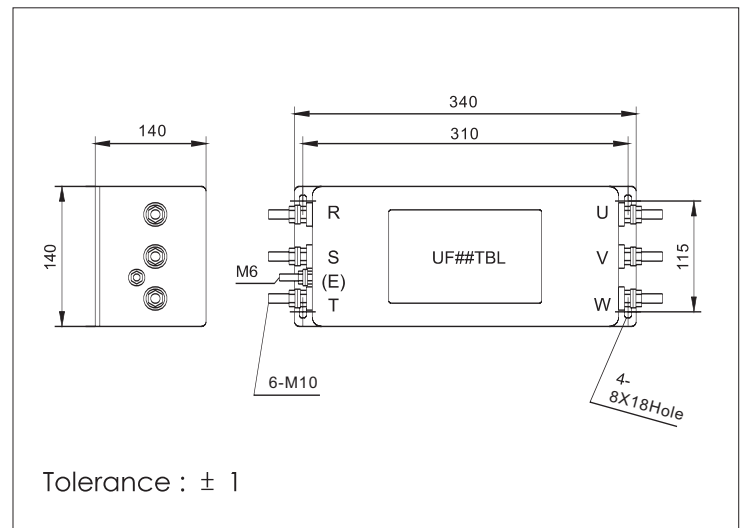
SPECIFICATIONS

Item	UF150TBL	UF200TBL	Unit
RATED CURRENT	150	200	A
RATED VOLTAGE	250 Max		V
TEST VOLTAGE	1,500Vrms between line and earth for 1 minute		/
ISOLATION RESISTANCE	500Vdc 300Mohm between line and earth		/
LEAKAGE CURRENT	1 Max		mA
TEMPERATURE RISE	40 Max		°C
OPERATING TEMPERATURE	-25 ~ +85		°C

BLOCK DIAGRAM



DIMENSIONS(UNITS : MM)



TBL Series



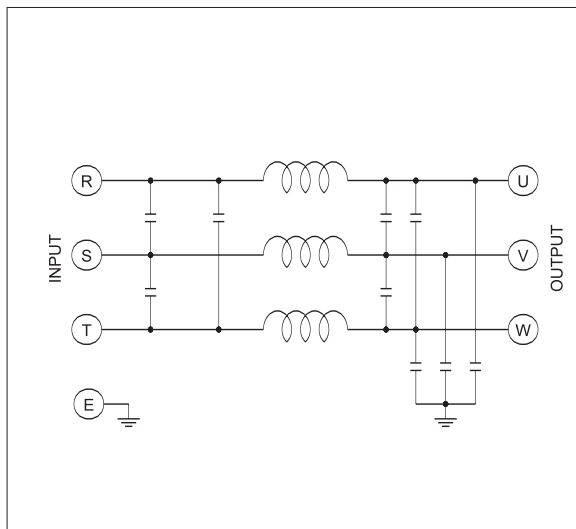
BOLT/Low-volt 3-Phase

- **250 - 300Amp 250V**
- **Excellent Filtering for Normal Mode and common Mode Noise**
- **Low Leakage**
- **Bolt Terminals**
- **Suitable for Industrial & Medical Equipments, OA & FA Equipments, Measuring Equipments, etc.**

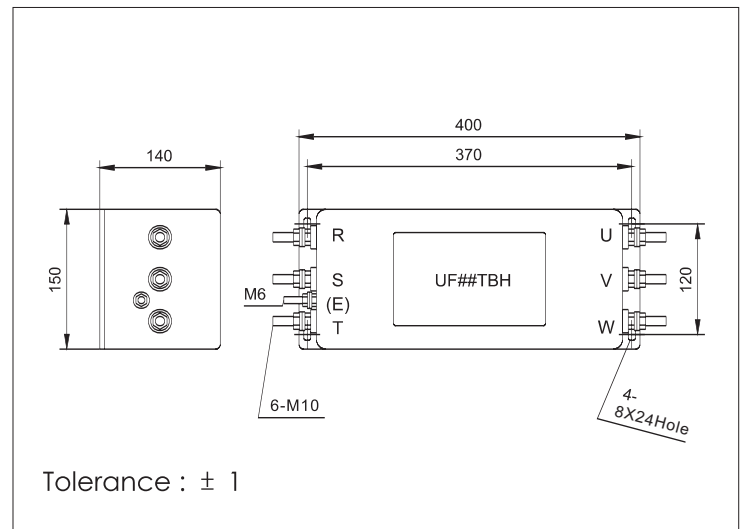
SPECIFICATIONS

Item	UF250TBL	UF300TBL	Unit
RATED CURRENT	250	300	A
RATED VOLTAGE	250 Max		V
TEST VOLTAGE	1,500Vrms between line and earth for 1 minute		/
ISOLATION RESISTANCE	500Vdc 300Mohm between line and earth		/
LEAKAGE CURRENT	1 Max		mA
TEMPERATURE RISE	40 Max		°C
OPERATING TEMPERATURE	-25 ~ +85		°C

BLOCK DIAGRAM



DIMENSIONS(UNITS : MM)



TBL Series



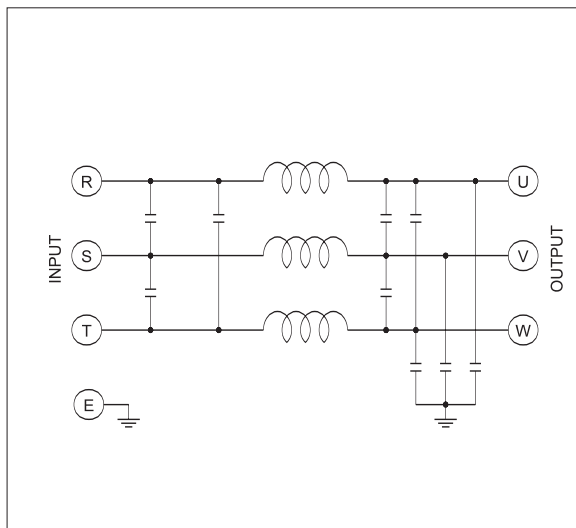
BOLT/Low-volt 3-Phase

- **450Amp 250V**
- **Excellent Filtering for Normal Mode and common Mode Noise**
- **Low Leakage**
- **Bolt Terminals**
- **Suitable for Industrial & Medical Equipments, OA & FA Equipments, Measuring Equipments, etc.**

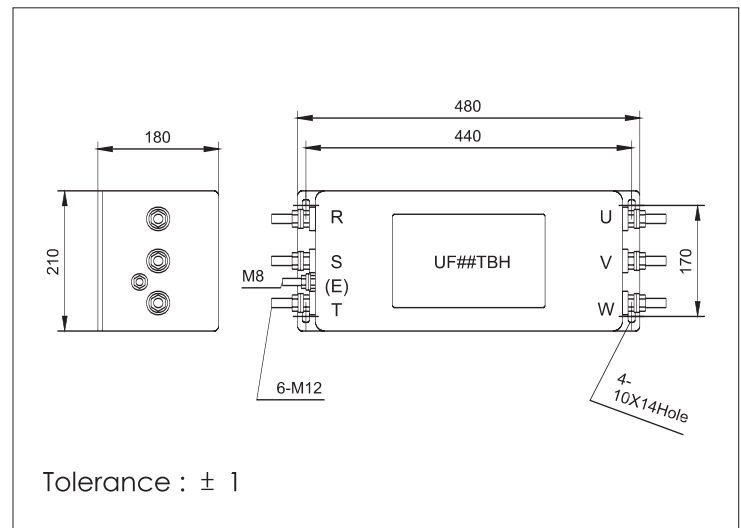
SPECIFICATIONS

Item	UF450TBL	Unit
RATED CURRENT	450	A
RATED VOLTAGE	250 Max	V
TEST VOLTAGE	1,500Vrms between line and earth for 1 minute	/
ISOLATION RESISTANCE	500Vdc 300Mohm between line and earth	/
LEAKAGE CURRENT	1 Max	mA
TEMPERATURE RISE	40 Max	°C
OPERATING TEMPERATURE	-25 ~ +85	°C

BLOCK DIAGRAM

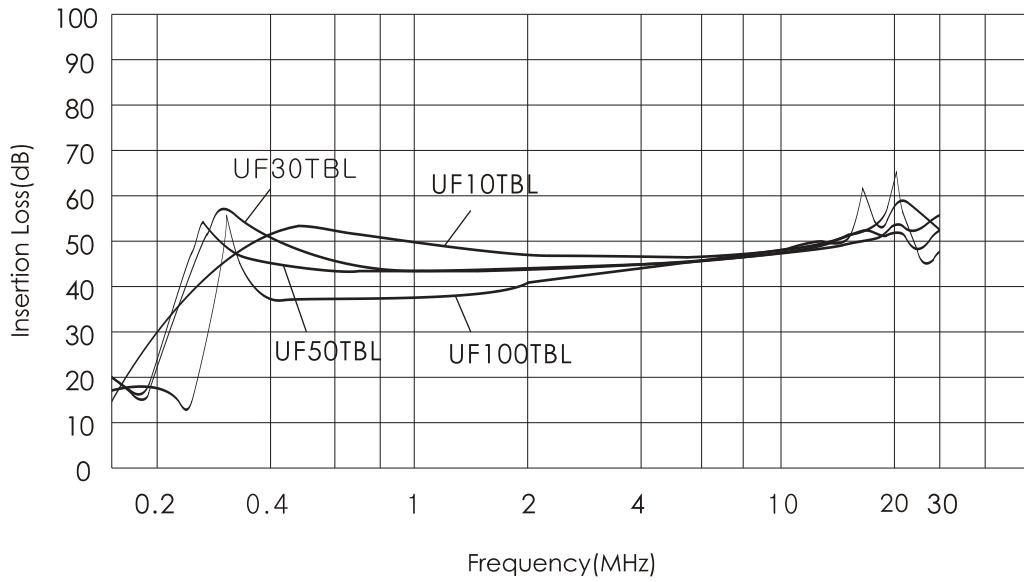


DIMENSIONS(UNITS : MM)



Characteristic curve

A. COMMON MODE



B. NORMAL MODE

