

S.M.P.S

Enclosed Switching Power Supply

Low Cost & Slim Type

350FAK Series

350W SINGLE OUTPUT



- ▷ Constant voltage design
- ▷ Wide input range AC90~132V/AC180~264V input
- ▷ No load power consumption<0.5W
- ▷ Protections: short circuit/over load/over voltage
- ▷ Forced air cooling by built-in DC fan
- ▷ 100% full load burn-in test
- ▷ Suitable for LED lighting and industrial applications
- ▷ Safety standards : EN60950-1/K61347-1,K61347-2-13
- ▷ EMC standards : EN55022/K00015,K61547,K61000-4-2,3,4,5,6,11
- ▷ 3 years warranty



ITEM		A-350FAK-5	A-350FAK-12	A-350FAK-24
INPUT	VOLTAGE RANGE	AC90~132V/AC180~264V		
	FREQUENCY RANGE	47~63Hz		
	EFFICIENCY(typ.)	83%	86%	88%
	AC CURRENT(typ.)	6.8A/115VAC 3.4A/230VAC		
	INRUSH CURRENT(typ.)	60A/230VAC		
	LEAKAGE CURRENT	<2mA / 240VAC		
OUTPUT	DC VOLTAGE	5V	12V	24V
	RATED CURRENT	60A	29A	14.6A
	RATED POWER	300W	350W	
	RIPPLE&NOISE(max.)	150mVp-p		
	VOLTAGE ADJ. RANGE	±5%		
	VOLTAGE ACCURACY	±1.5%		
	LINE REGULATION	±0.5%		
	LOAD REGULATION	±1.0%		
	SETUP,RISE TIME	1300ms,50ms/230VAC 100% load		
HOLD UP TIME(typ.)	16ms/230VAC 100% Load			
PROTEC-TION	SHORT CIRCUIT	Hiccup mode ; recovers automatically after fault condition is removed		
	OVER LOAD	110~140% of rated output		
	OVER VOLTAGE	115~135% of rated output		
ISOLA-TION	WITHSTAND VOLTAGE	I/P-O/P:AC3KV, I/P-F.G:AC2KV, O/P-F.G:AC0.5KV		
	ISOLATION RESISTANCE	I/P-O/P, I/P-F.G, O/P-F.G:DC500V 100Mohms(At room temp. & humid.)		
ENVIRON-MENT	WORKING TEMP.&HUMID.	-30~+70℃ (Refer to "DERATING CURVE"),20~95%RH		
	STORAGE TEMP.&HUMID.	-40~+85℃,10~95%RH		
	VIBRATION	10~500Hz, 2G 10min./1cycle, period for 60min. each along X, Y, Z axes		
OTHERS	LIFETIME	226,400 hours(25℃)		
	DIMENSION/WEIGHT	215*115*29.5mm(L*W*H)/0.75Kg		

NOTE

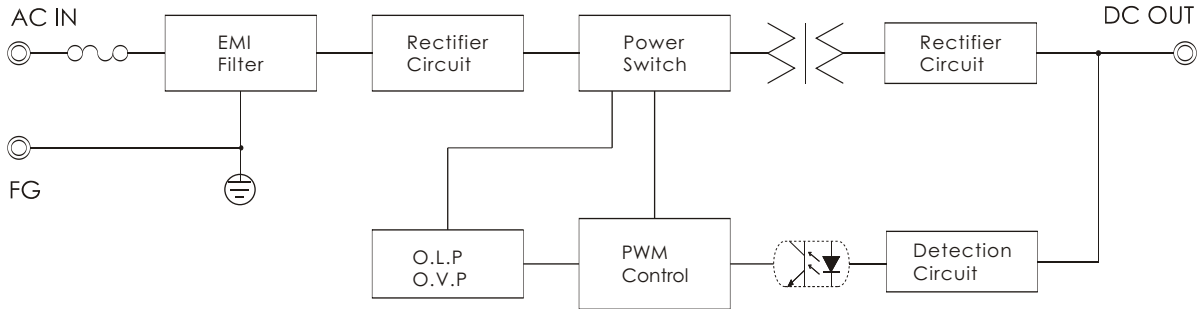
- * In order to extend the lifetime, it is recommended to configure the load no more than 30% of the remaining allowance. For example: the power of the device requires 100W, then use the power of less than 130W.
- * Ripple test method: 20MHz oscilloscope in power output terminal test, oscilloscope probe wire length is not more than 12mm, and input parallel 47uF electrolytic capacitors and 0.1uF high frequency capacitance probe.

S.M.P.S

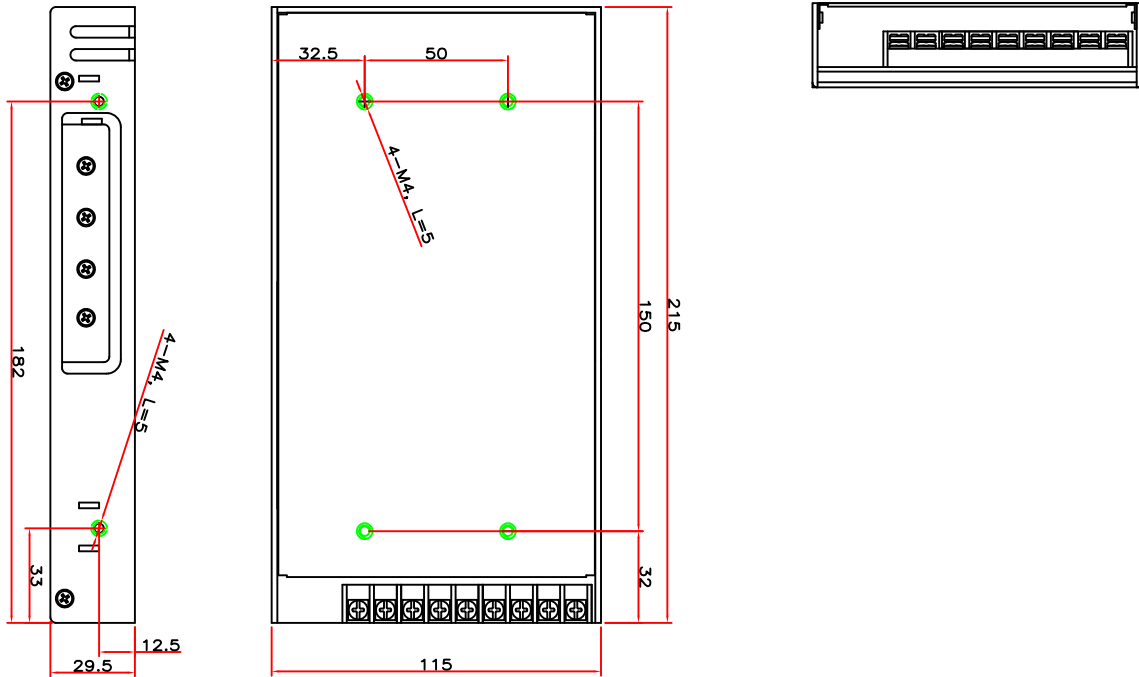
Enclosed Switching Power Supply

Low Cost Type

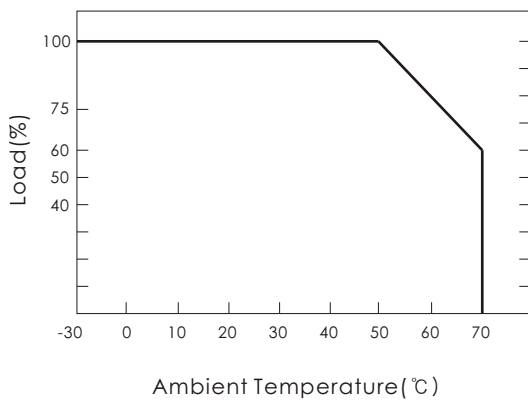
■ BLOCK DIAGRAM



■ DIMENSIONS(unit:mm)



■ DERATING CURVE



■ STATIC CHARACTERISTICS

