

S.M.P.S

Enclosed Switching Power Supply

Low Cost & Normal Type

A-600 Series

600W SINGLE OUTPUT



- ▷ Constant voltage design
- ▷ AC180~264V input
- ▷ No load power consumption<0.2W
- ▷ Protections: short circuit/over load
- ▷ Forced Cooling by fan
- ▷ 100% full load burn-in test
- ▷ Suitable for LED lighting and industrial applications
- ▷ Safety standards : K61347-1,K61347-2-13
- ▷ EMC standards : K61547,K61000-4-2,3,4,5,6,11
- ▷ 2 years warranty



ITEM		A-600-12	A-600-24	A-600-36
INPUT	VOLTAGE RANGE	AC180~264V		
	FREQUENCY RANGE	47~63Hz		
	EFFICIENCY(typ.)	84%	87%	87%
	AC CURRENT(typ.)	6A/230VAC		
	INRUSH CURRENT(typ.)	60A/230VAC		
	LEAKAGE CURRENT	<3.5mA / 230VAC		
OUTPUT	DC VOLTAGE	12V	24V	36V
	RATED CURRENT	50A	25A	16.7A
	RATED POWER	600W	600W	600W
	RIPPLE&NOISE(max.)	150mVp-p	200mVp-p	350mVp-p
	VOLTAGE ADJ. RANGE	±5%		
	VOLTAGE ACCURACY	±1.0%		
	LINE REGULATION	±0.5%		
	LOAD REGULATION	±0.5%		
	SETUP,RISE TIME	1000ms,50ms/230VAC 100% load		
HOLD UP TIME(typ.)	20ms/230VAC 100% Load			
PROTEC-TION	SHORT CIRCUIT	Hiccup mode ; recovers automatically after fault condition is removed		
	OVER LOAD	110~150% of rated output		
ISOLA-TION	WITHSTAND VOLTAGE	I/P-O/P:AC3KV, I/P-F.G:AC1.5KV, O/P-F.G:AC0.5KV		
	ISOLATION RESISTANCE	I/P-O/P, I/P-F.G, O/P-F.G:DC500V 50Mohms(At room temp. & humid.)		
ENVIRON-MENT	WORKING TEMP.&HUMID.	-20~+40℃ (Refer to "DERATING CURVE"),20~95%RH		
	STORAGE TEMP.&HUMID.	-30~+85℃,10~95%RH		
	VIBRATION	10~500Hz, 2G 10min./1cycle, period for 60min. each along X, Y, Z axes		
OTHERS	LIFETIME	100,000 hours(25℃)		
	DIMENSION/WEIGHT	241*124*65mm(L*W*H)/1.48Kg		

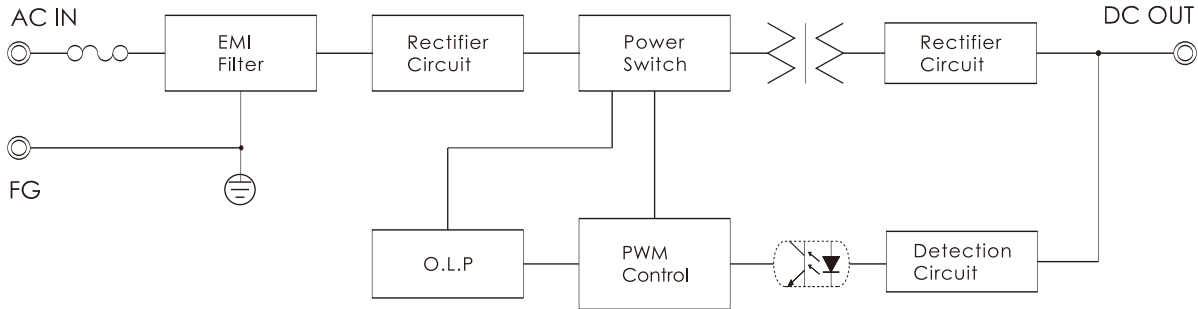
NOTE
 * In order to extend the lifetime, it is recommended to configure the load no more than 30% of the remaining allowance. For example: the power of the device requires 100W, then use the power of less than 130W.
 * Ripple test method: 20MHz oscilloscope in power output terminal test, oscilloscope probe wire length is not more than 12mm, and input parallel 47uF electrolytic capacitors and 0.1uF high frequency capacitance probe.

S.M.P.S

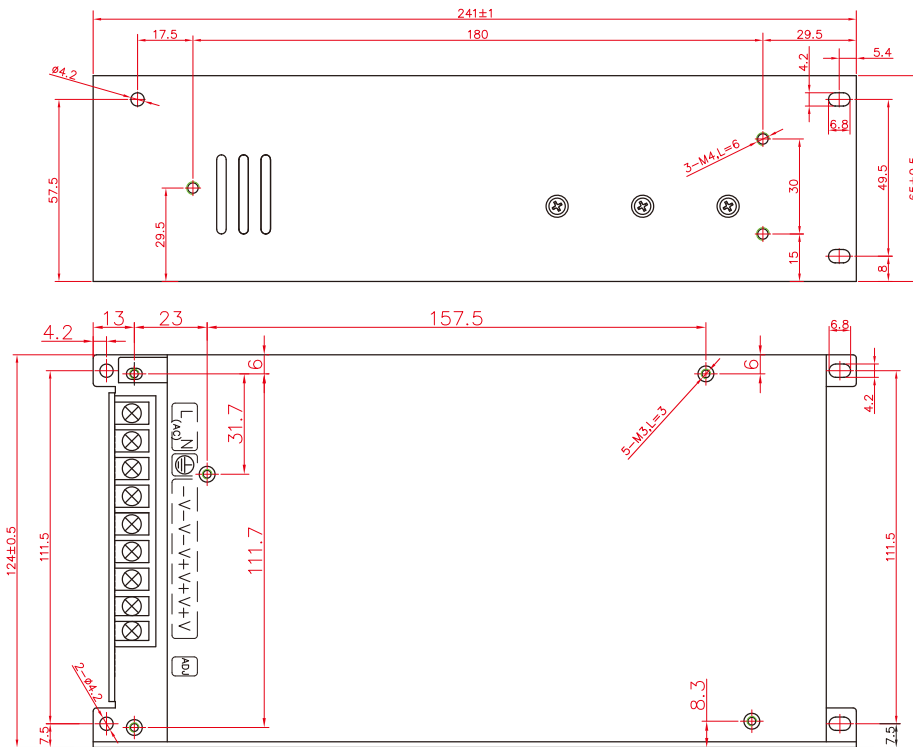
Enclosed Switching Power Supply

Low Cost Type

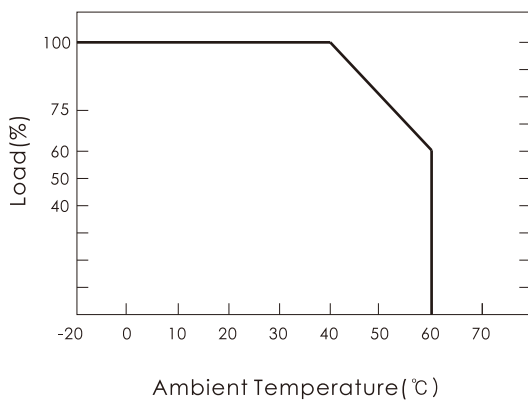
■ BLOCK DIAGRAM



■ DIMENSIONS(unit:mm)



■ DERATING CURVE



■ STATIC CHARACTERISTICS

