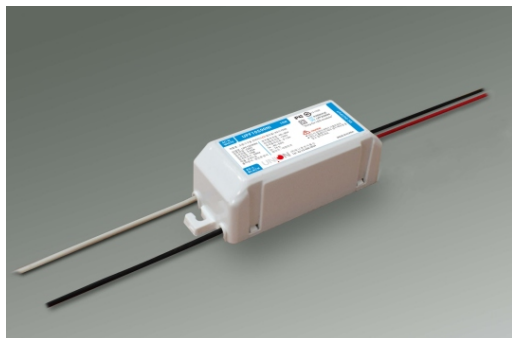


F-NI Series

10W, 15W, 20W single output with constant current circuit and PFC function



- **Constant current design(C.C. mode)**
- Built-in PFC function
- Protections : Over voltage /Short circuit
- IP42 design for indoor installations
- 100% full load burn-in test
- Suitable for LED fluorescent light and office light applications
- Plastic case
- Safety standards : K61347-1,K61347-2-13
- EMC standards : K00015,K61547
- 3years warranty

IP42   SELV LPS    

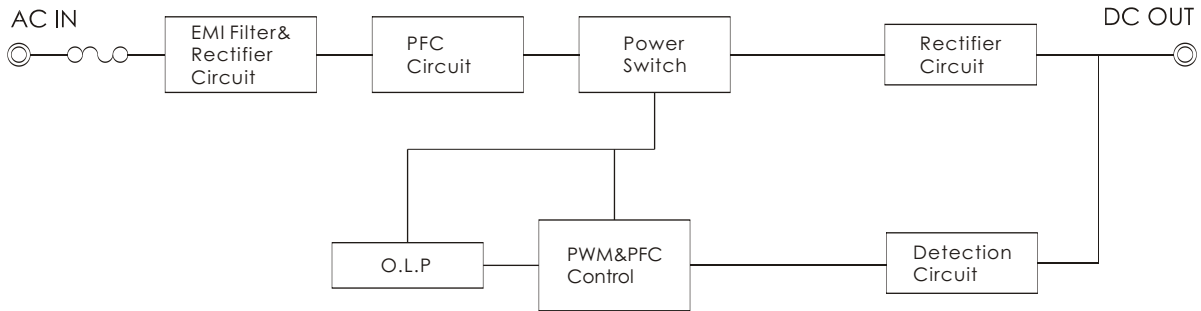
ITEM		UPF10S90NI	UPF15S90NI	UPF20S90NI
INPUT	VOLTAGE RANGE	AC180~264V		
	FREQUENCY RANGE	47~63Hz		
	POWER FACTOR	0.9 min. at over 24W of output power		
	EFFICIENCY(typ.)	90%	91%	92%
	AC CURRENT(typ.)	0.05A/230VAC	0.07A/230VAC	0.1A/230VAC
	INRUSH CURRENT(typ.)	COLD START 40A/230VAC		
	LEAKAGE CURRENT	<5mA / 230VAC		
OUTPUT	RATED CURRENT	0.12A	0.18A	0.20A
	OPERATING VOLT. RANGE	70~90V		
	RATED POWER	10W	14W	18.5W
	CURRENT ADJ.RANGE	Fixed. Can be modified within -15% rated output current		
	CURRENT ACCURACY	±5%		
	RIPPLE&NOISE(max.)	20Vp-p		
	SETUP,RISE TIME(max.)	3000ms,100ms/230VAC at full load		
PROTECTION	SHORT CIRCUIT	Hiccup mode ; recovers automatically after fault condition is removed		
ENVIRONMENT	WORKING TEMP.&HUMID.	-20~+50℃ (Refer to "DERATING CURVE"),20~95%RH		
	STORAGE TEMP.&HUMID.	-20~+70℃,10~95%RH		
	VIBRATION	10~500Hz, 2G 10min./1cycle, period for 60min. each along X, Y, Z axes		
OTHERS	DIMENSION/WEIGHT	85.4*30.1*25.5mm(L*W*H)/46g		
NOTE	1. All parameters not specially mentioned are measured at 230vac input, rated load and 25℃ of ambient temperature.			

S.M.P.S

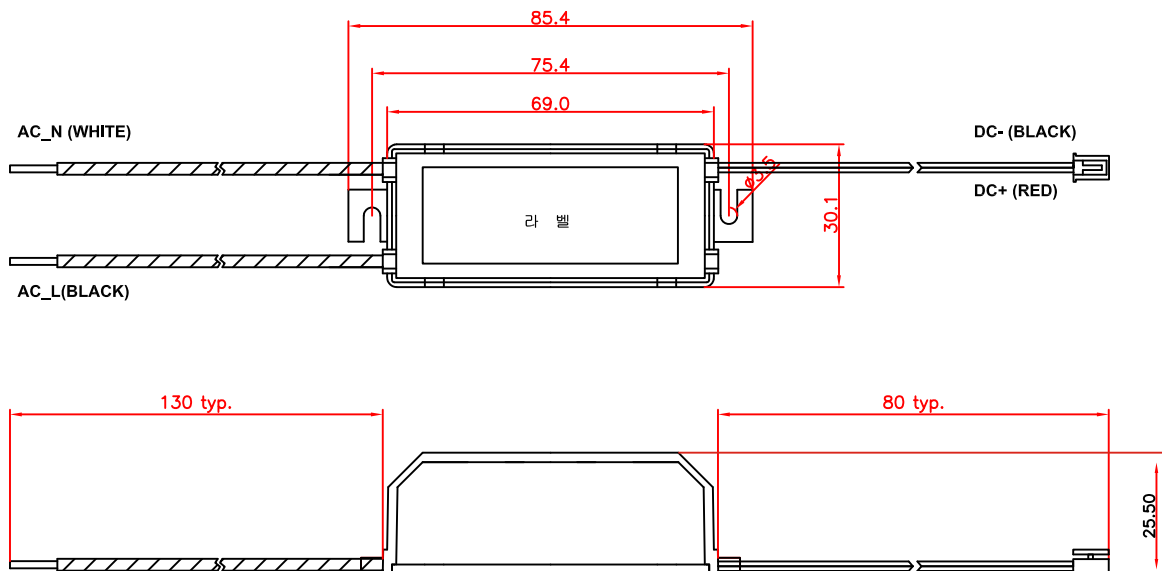
LED Converter

Water Proof Converter

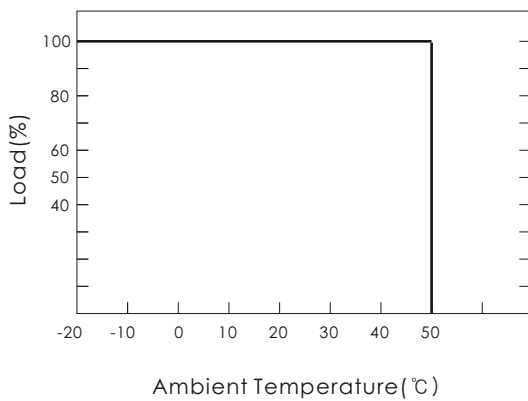
■ BLOCK DIAGRAM



■ DIMENSIONS(unit:mm)



■ DERATING CURVE



■ STATIC CHARACTERISTICS

