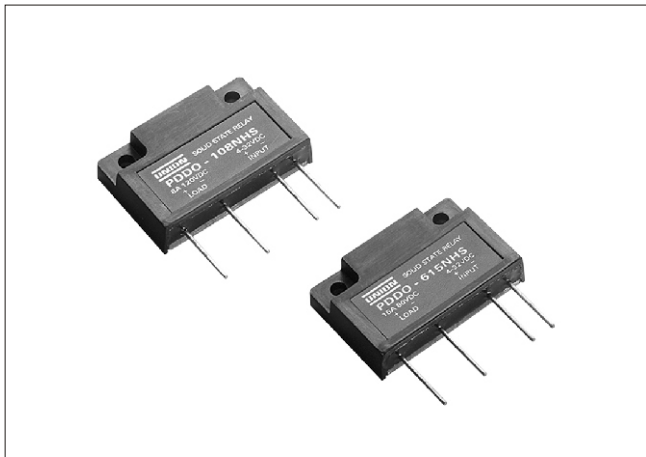


PDD0-HS Series



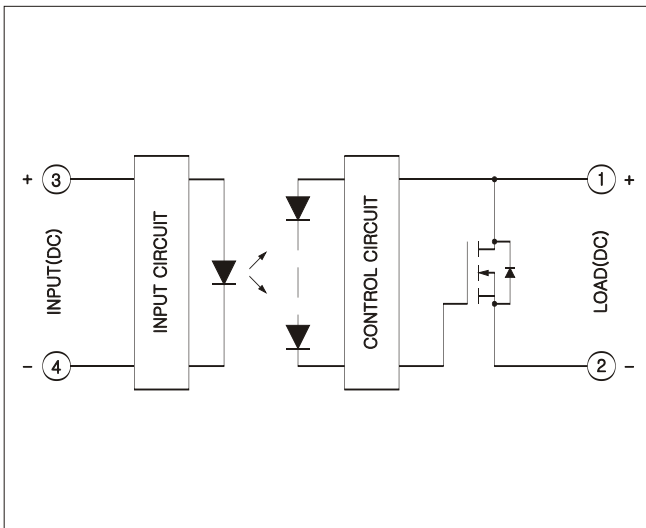
Input DC/Output DC PCB With Heatsink

- 8 - 20Amp DC24/60/120V Output
- AC2500V Isolation
- DC SIP
- Normally Open
- PCB Mount with Heatsink

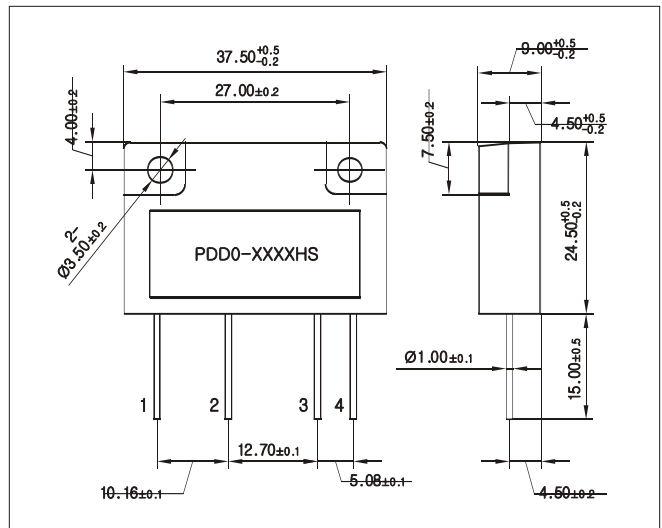
SPECIFICATIONS

Item		PDD0-108NHS	PDD0-115NHS	PDD0-208NHS	PDD0-215NHS	PDD0-220NHS	PDD0-608NHS	PDD0-615NHS	PDD0-620NHS	Unit	
OUTPUT	DC ON-STATE LOAD CURRENT	8	15	8	15	20	8	15	20	Adc	
	LOAD VOLTAGE RANGE	5 ~ 120		5 ~ 24			5 ~ 60			Vdc	
	BLOCKING VOLTAGE	200		60			100			Vdc	
	ON-STATE VOLTAGE DROP						2 Max				Vdc
	OFF-STATE LEAKAGE CURRENT						1 Max				mAdc
INPUT	INPUT VOLTAGE RANGE						4 ~ 32				Vdc
	PICK-UP VOLTAGE						4 Max				Vdc
	DROP-OUT VOLTAGE						1 Min				Vdc
GENERAL	ISOLATION VOLTAGE	2,500Vrms between I/O terminals and case for 1 minute								/	
	ISOLATION RESISTANCE	500Vdc 100Mohm between I/O terminals and case								/	
	OPERATING TEMPERATURE						-30 ~ +80				°C
	STORAGE TEMPERATURE						-30 ~ +100				°C
	TURN-ON TIME						1 Max				msec
	TURN-OFF TIME						1 Max				msec

BLOCK DIAGRAM



DIMENSIONS (UNIT : MM)



Characteristic curve

A. 8Amp S.S.R

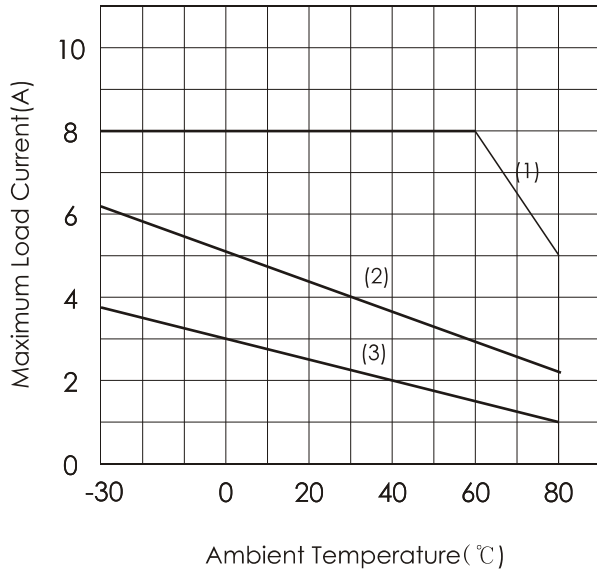
S.S.R Model

PDA1-208ZHL/208ZHS

PDD0-108NHS/208NHS/608NHS

Heatsink

(1)Infinite(2)UHS126-P-40(3)Non



B. 15Amp S.S.R

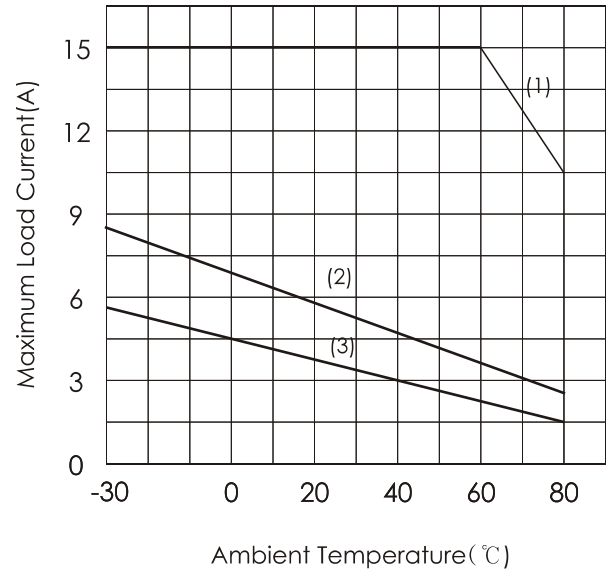
S.S.R Model

PDA1-215ZHL/215ZHS

PDD0-115NHS/215NHS/615NHS

Heatsink

(1)Infinite(2)UHS126-P-40(3)Non



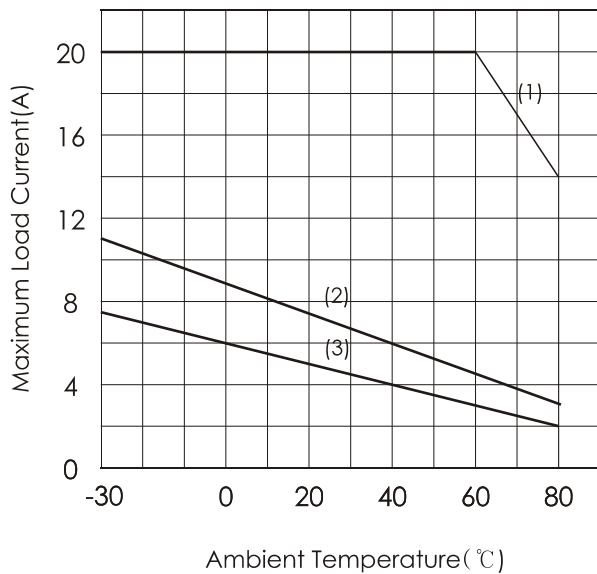
C. 20Amp S.S.R

S.S.R Model

PDD0-220NHS/620NHS

Heatsink

(1)Infinite(2)UHS126-P-50(3)Non



Standard heatsink

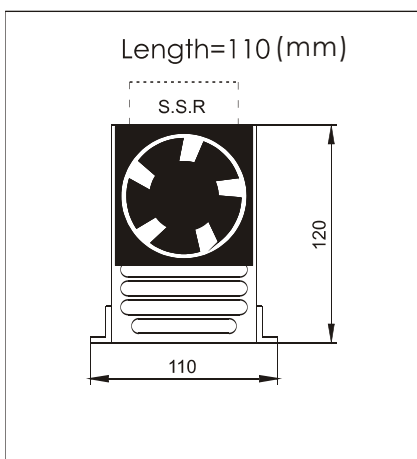
1) UHS118 Series

	MODEL	Length(mm)
	UHS118-1-45	45
	UHS118-1-60	60
	UHS118-1-80	80
	UHS118-3-120	120
	UHS118-3-150	150

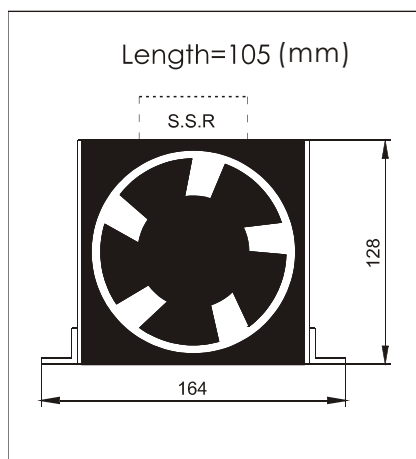
2) UHS11 Series

	MODEL	Length(mm)
	UHS11-1-80	80
	UHS11-1-105	105
	UHS11-3-80	80
	UHS11-3-105	105
	UHS11-3-150	150

3) UHS120V80-3-110



4) UHS124V128-3-105



5) UHS126-P

MODEL	Length(mm)
<u>UHS126-P-40</u>	40
<u>UHS126-P-50</u>	50